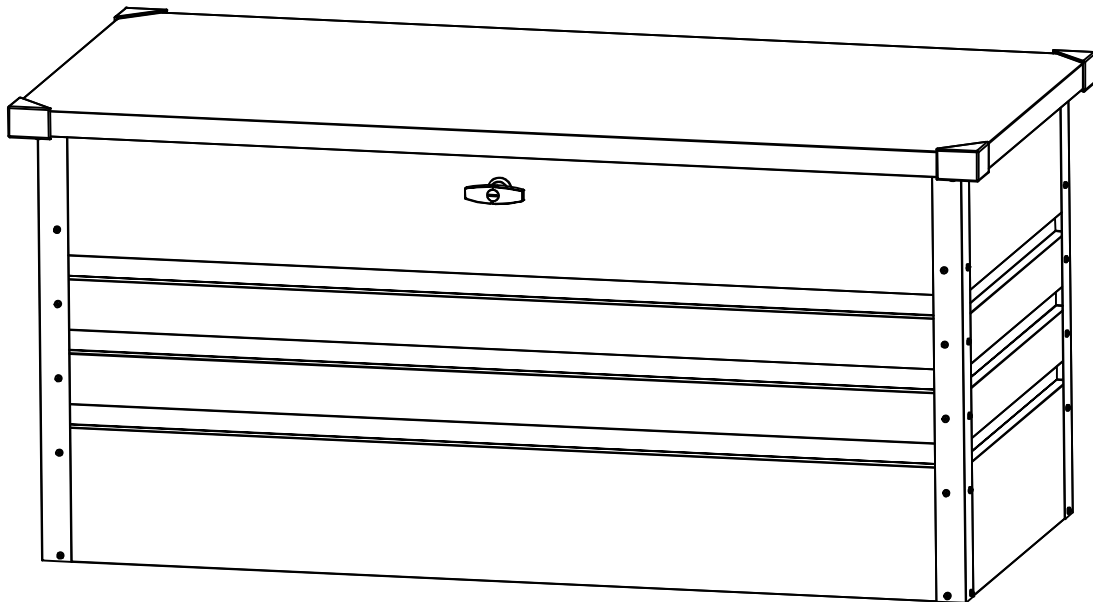


Metal Storage Box

Instructions for Assembly



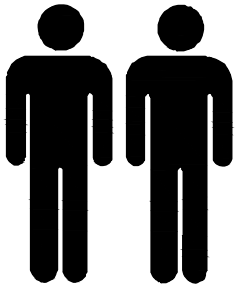
PB02BT: L132XW61XH62cm

Requires two people and takes 1.5 hour for Installation.

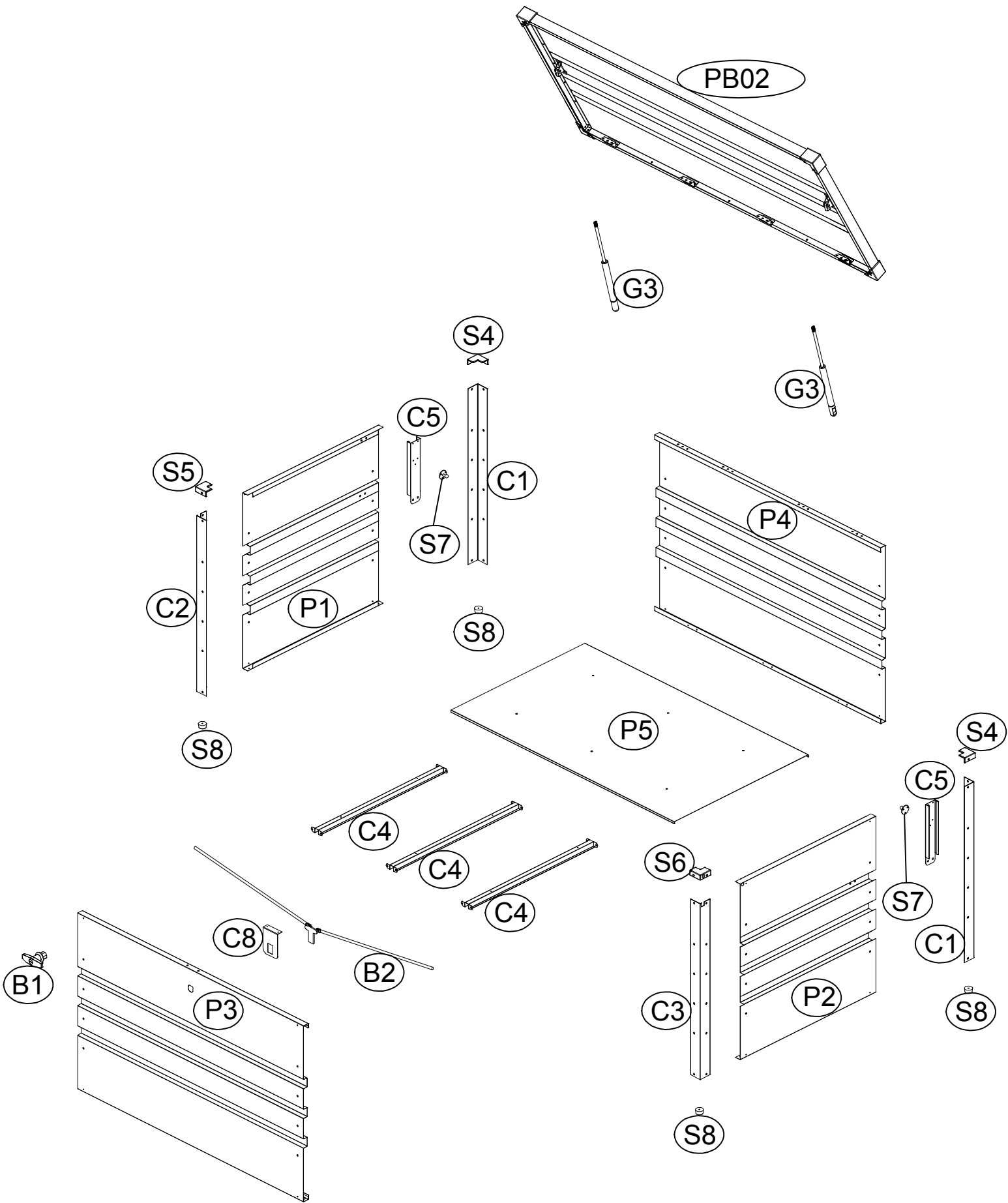
Quick & Easy Assembly

Ridge Reinforced Walls

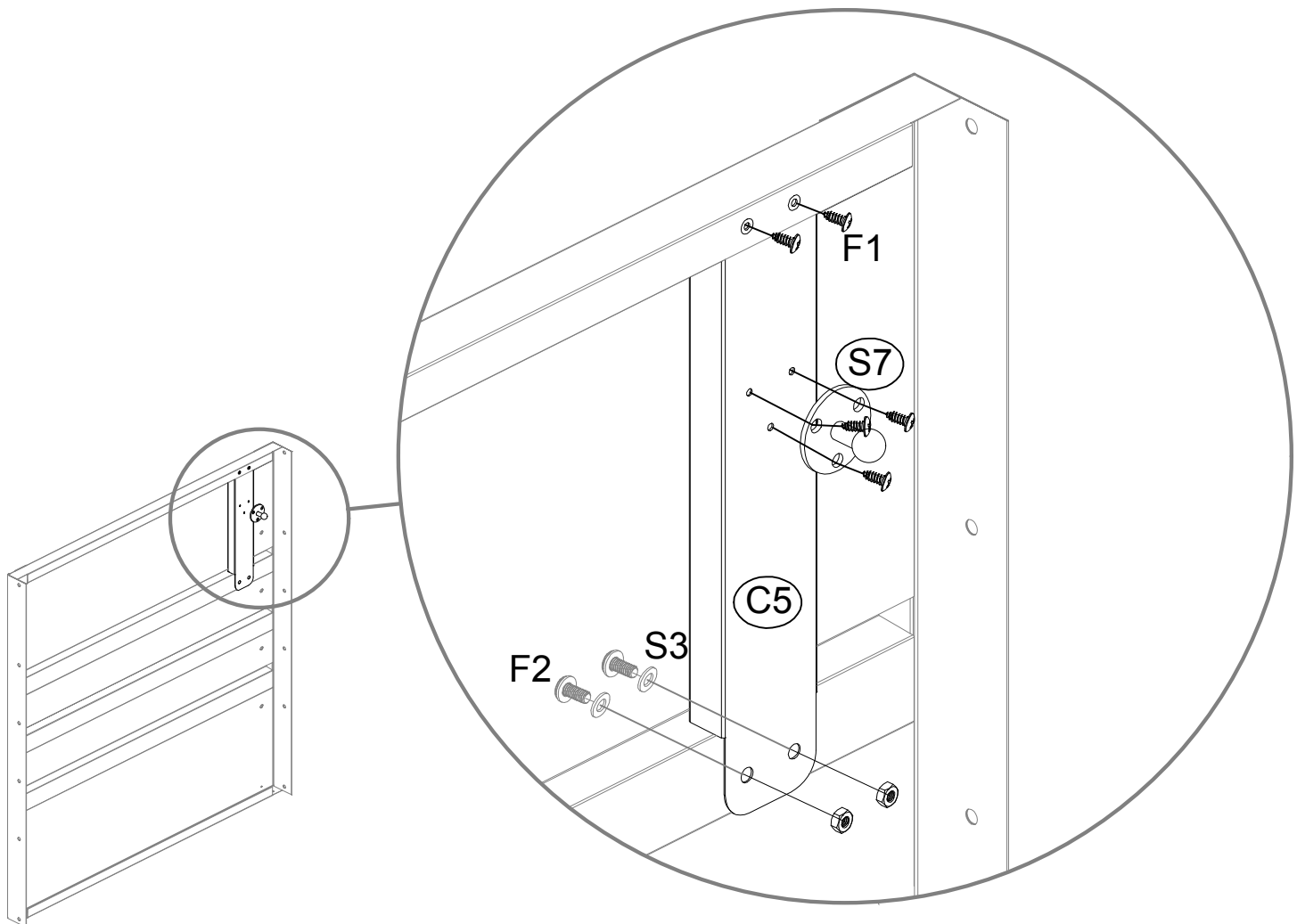
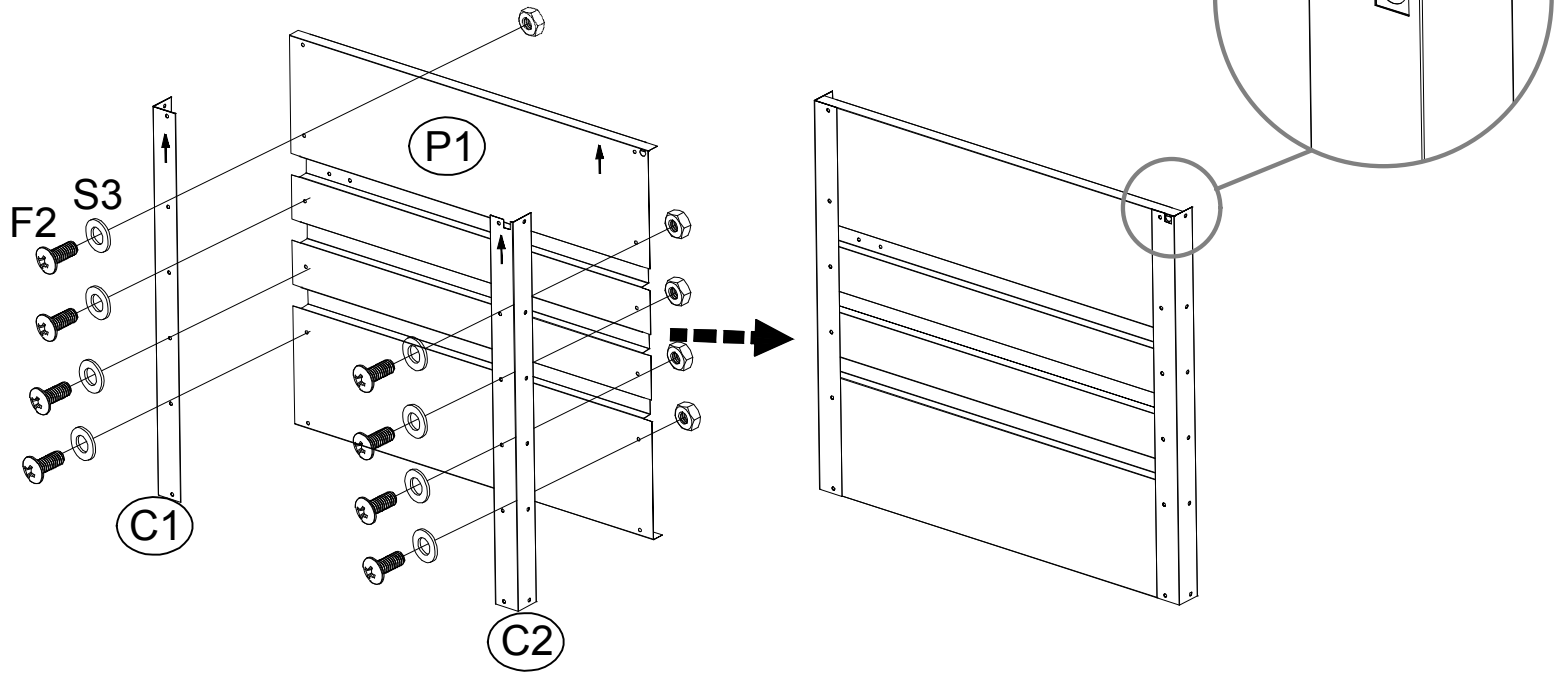
Available in Various Sizes

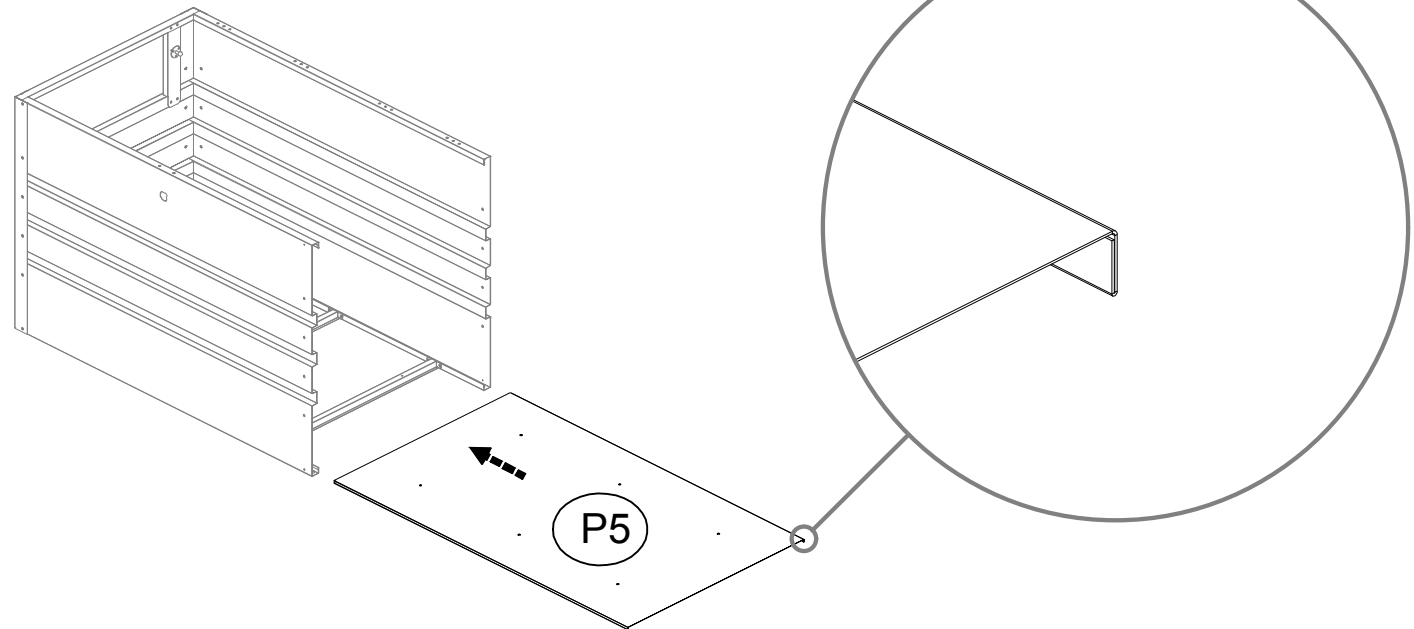
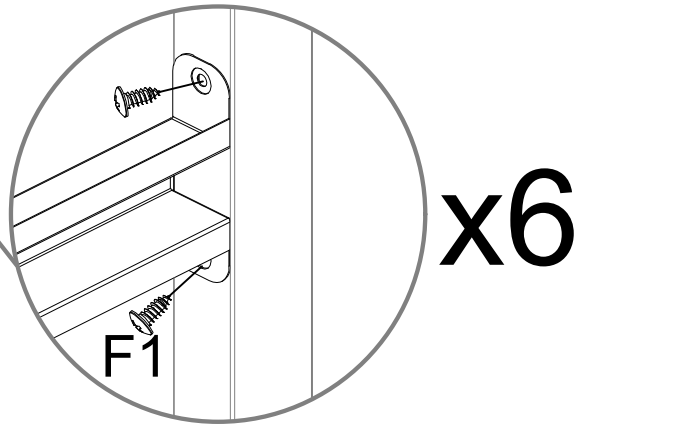
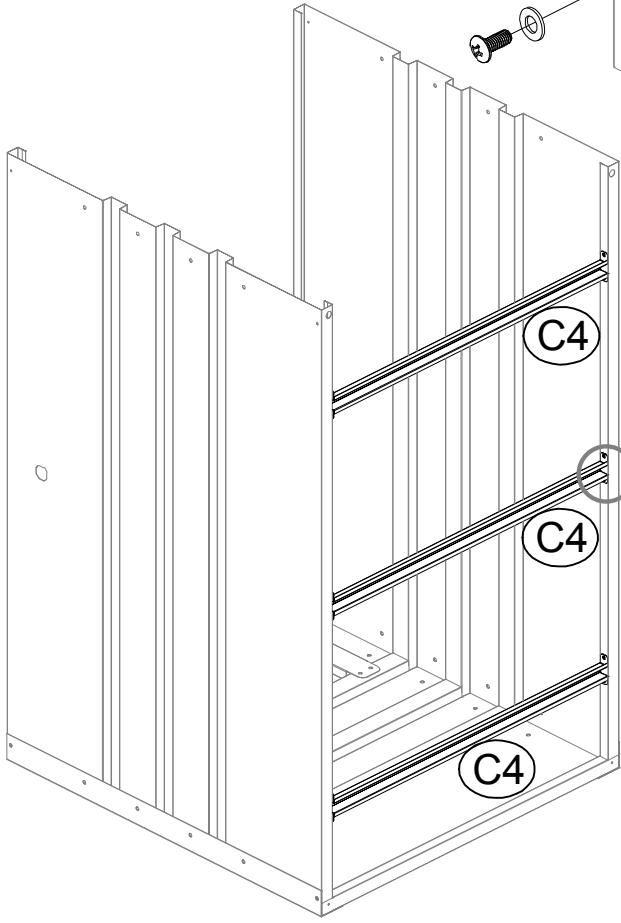
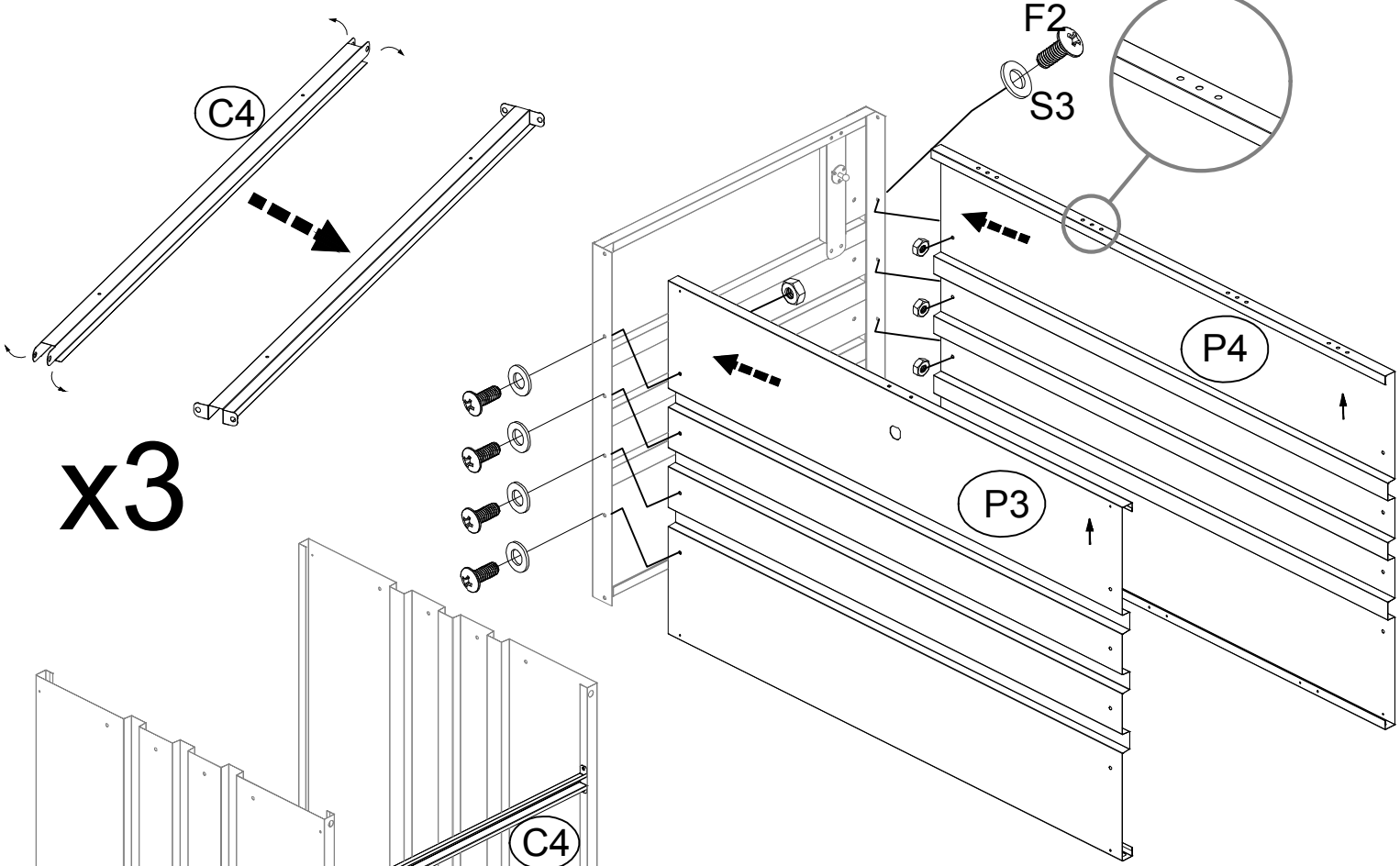


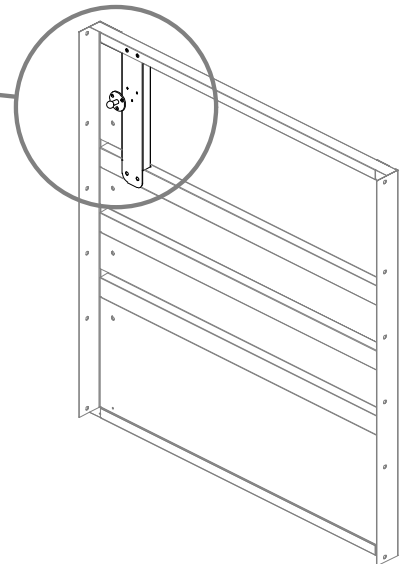
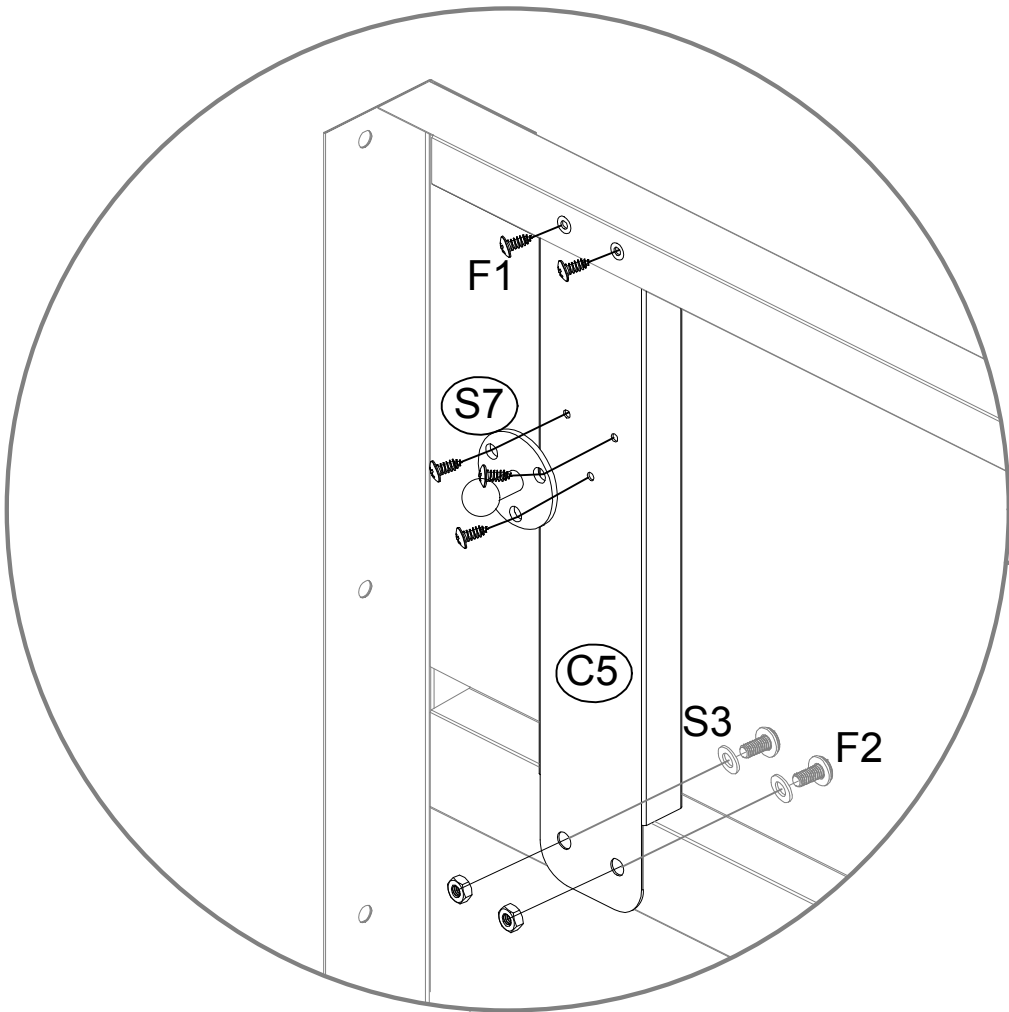
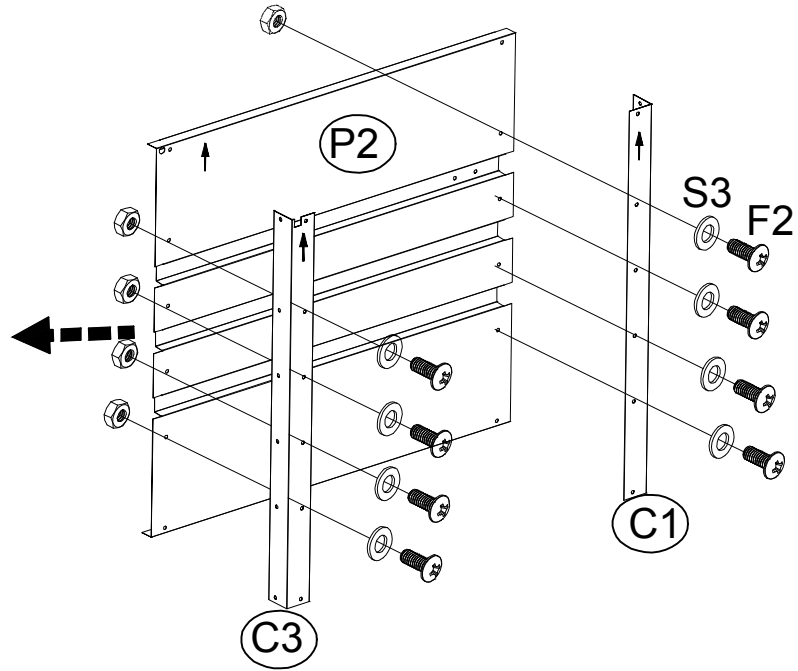
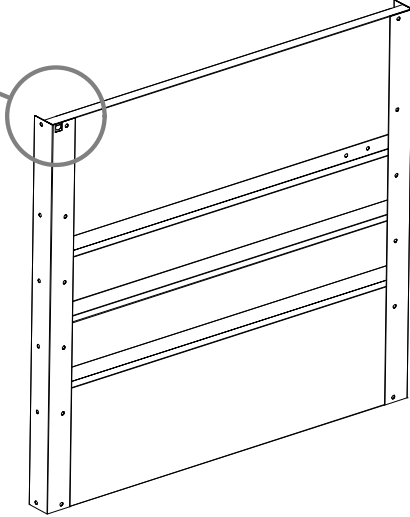
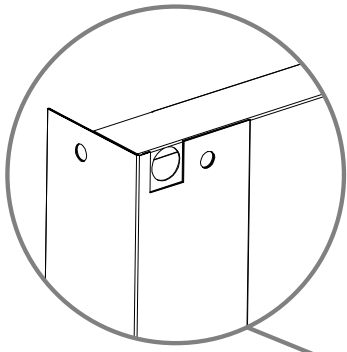
	<p>C1</p> <p>2 593mm</p>	<p>C2</p> <p>1 593mm</p>	<p>C3</p> <p>1 593mm</p>
<p>C4</p> <p>3 543mm</p>	<p>C5</p> <p>2 208mm</p>	<p>C8</p> <p>1</p>	<p>B1</p> <p>1</p>
<p>B2</p> <p>1</p>	<p>G3</p> <p>2 350X130-80N</p>	<p>S7</p> <p>2</p>	
<p>PB02</p> <p>1 1310mm</p>	<p>P1</p> <p>1 556mm</p>	<p>P2</p> <p>1 556mm</p>	<p>P3</p> <p>1 1253mm</p>
<p>P4</p> <p>1 1253mm</p>	<p>P5</p> <p>1 1243mm</p>		
<p>S4</p> <p>2</p>	<p>S5</p> <p>1</p>	<p>S6</p> <p>1</p>	<p>S8</p> <p>4</p>
<p>F2</p> <p>55</p>	<p>S3</p> <p>60</p>	<p>F8</p> <p>4</p>	<p>F1</p> <p>50</p>

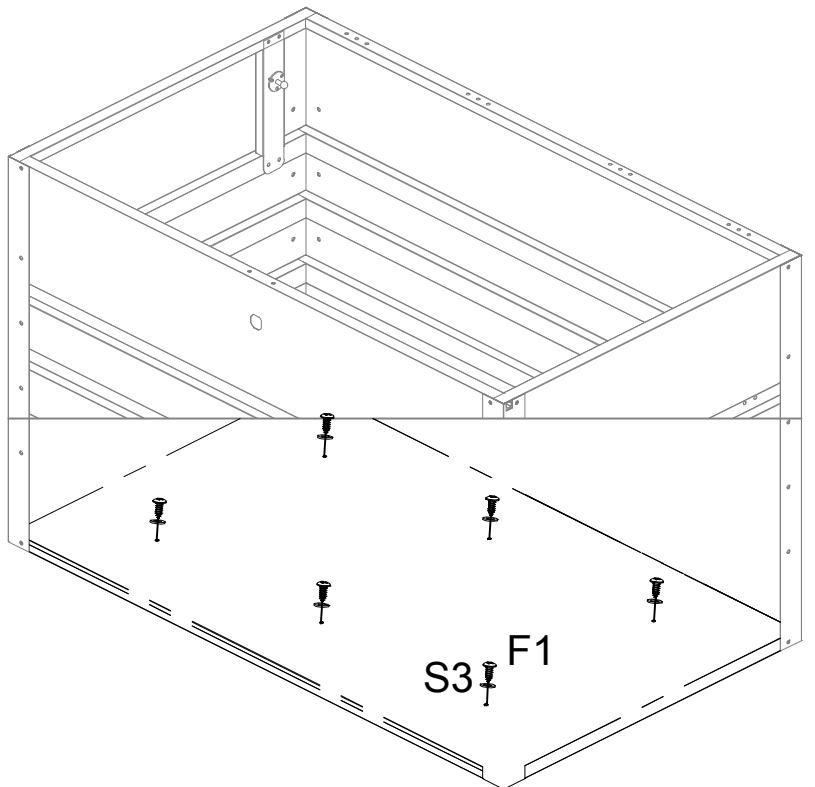
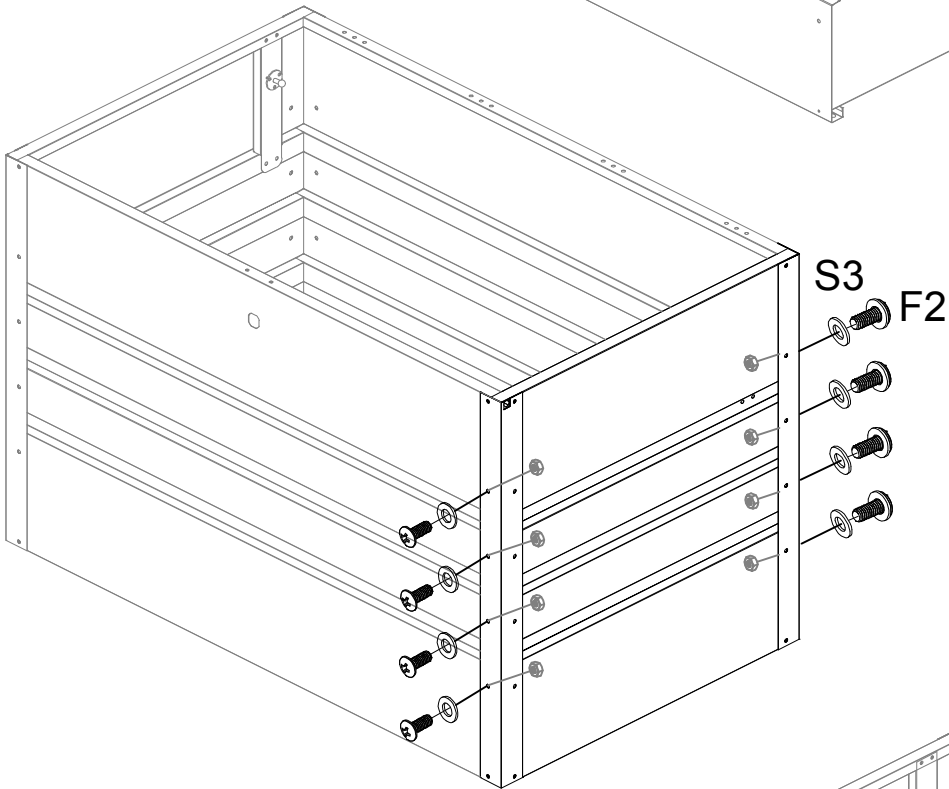
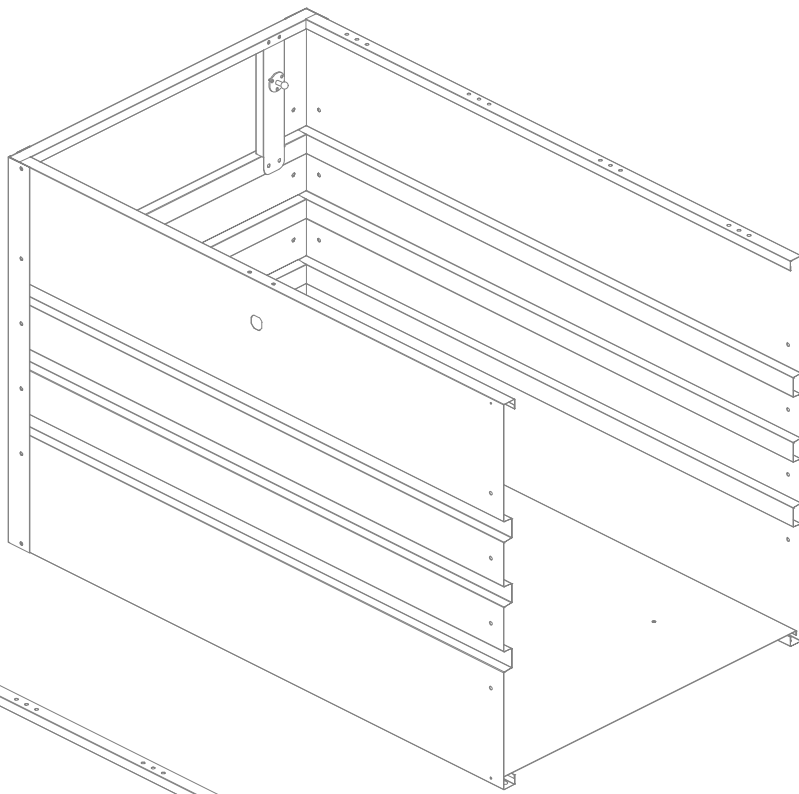


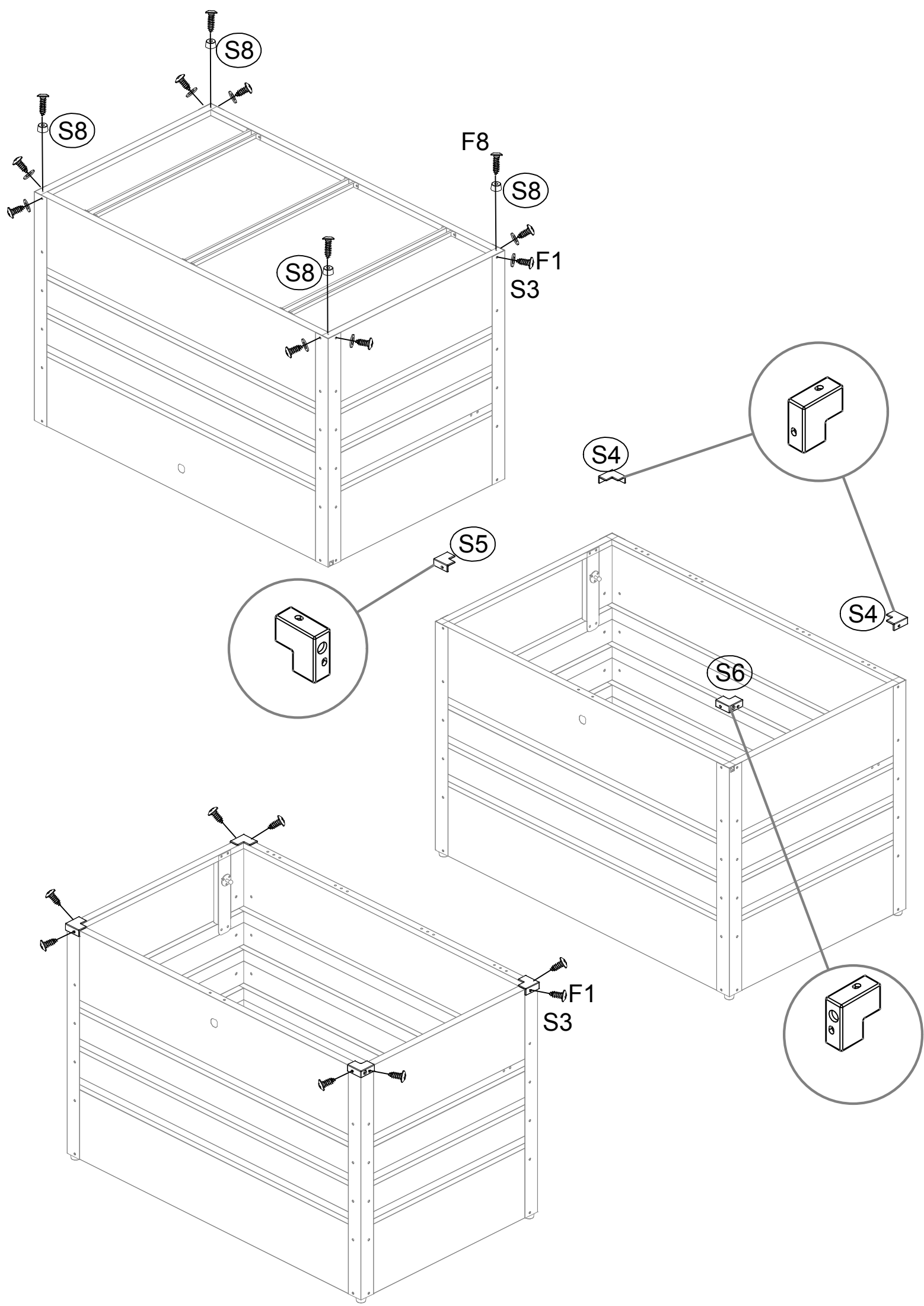
Before starting assembly, remove the protective film from each part!



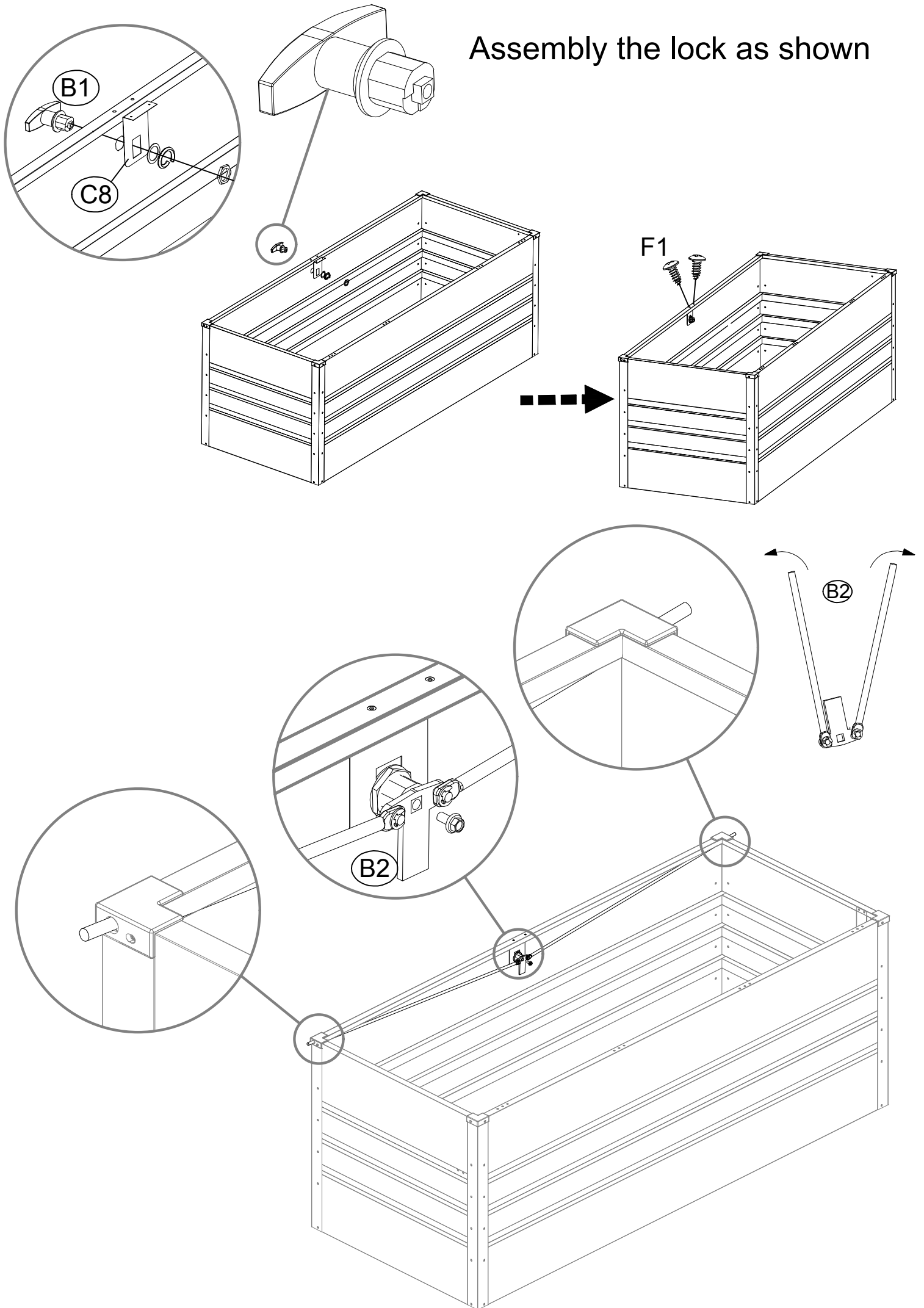


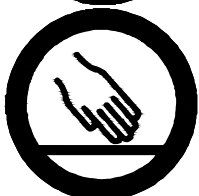
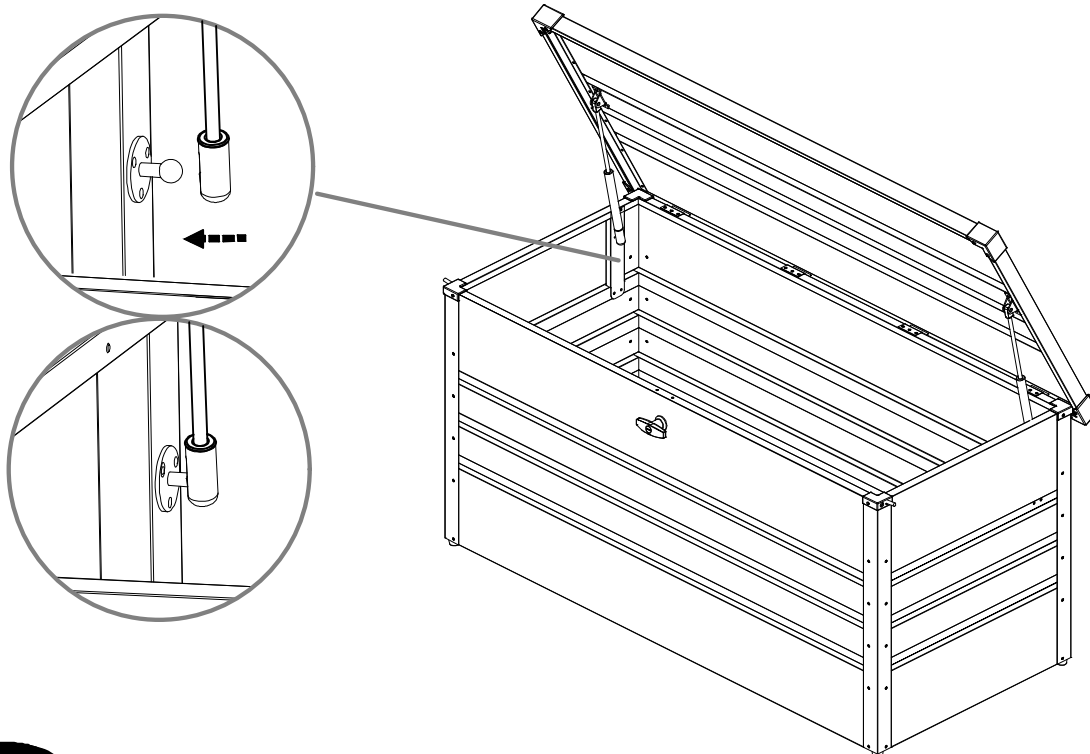
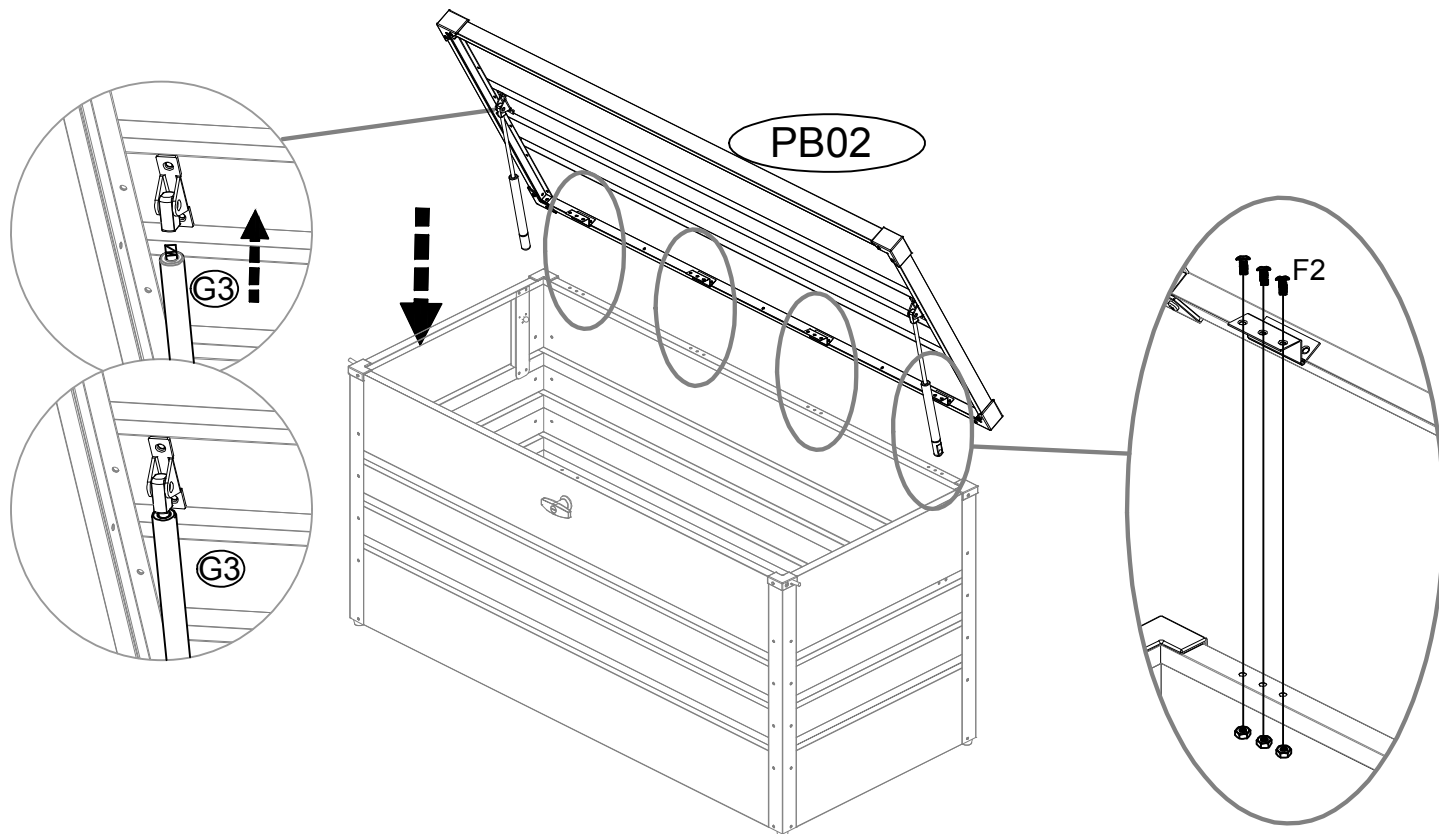






Assembly the lock as shown





Maximum load of lid: 50 kg

When closing the box, gently press the lid.