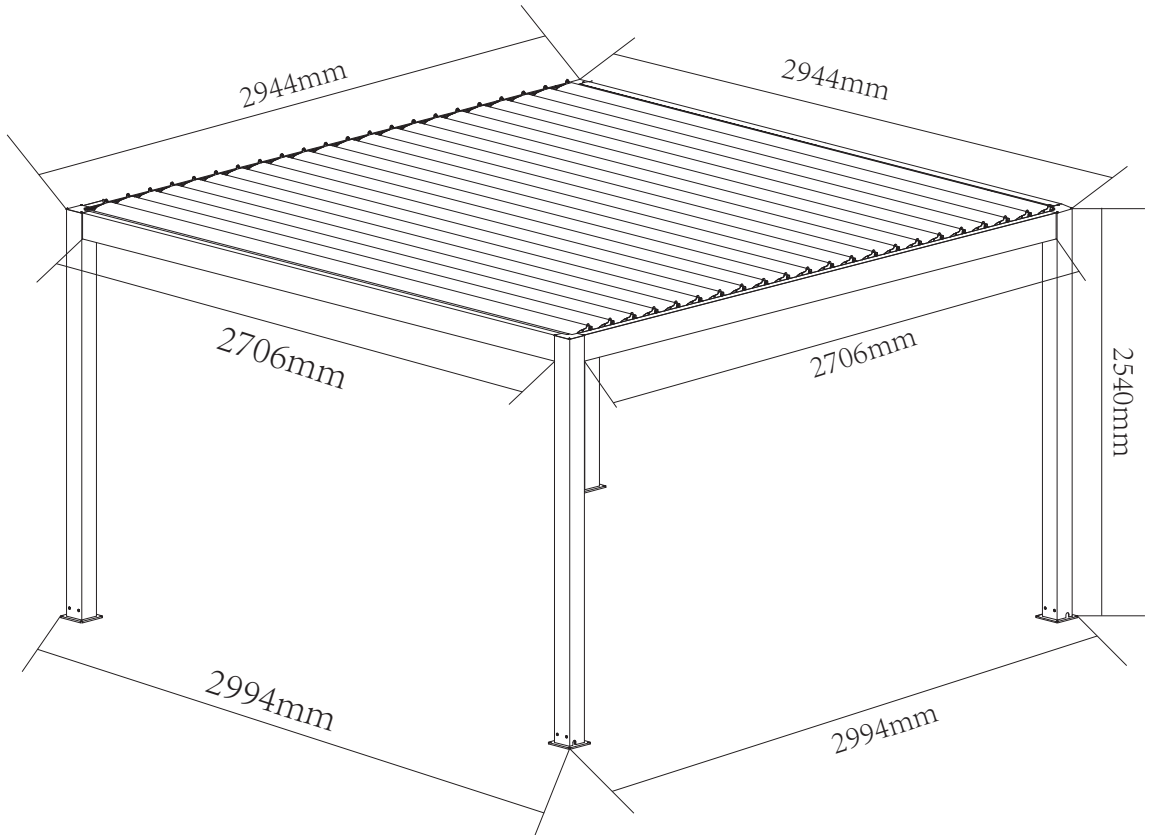
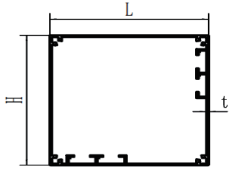
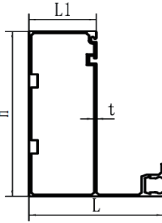

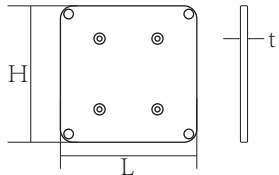


8630/8630L 3*3*2.5M



Components	Drawing	Thickness	H * L
Column		1.6mm	118×118mm
Beam		1.6mm	150×100mm
Louver		1.2mm	33.2×195mm
Plate for bottom		8mm	170X170mm