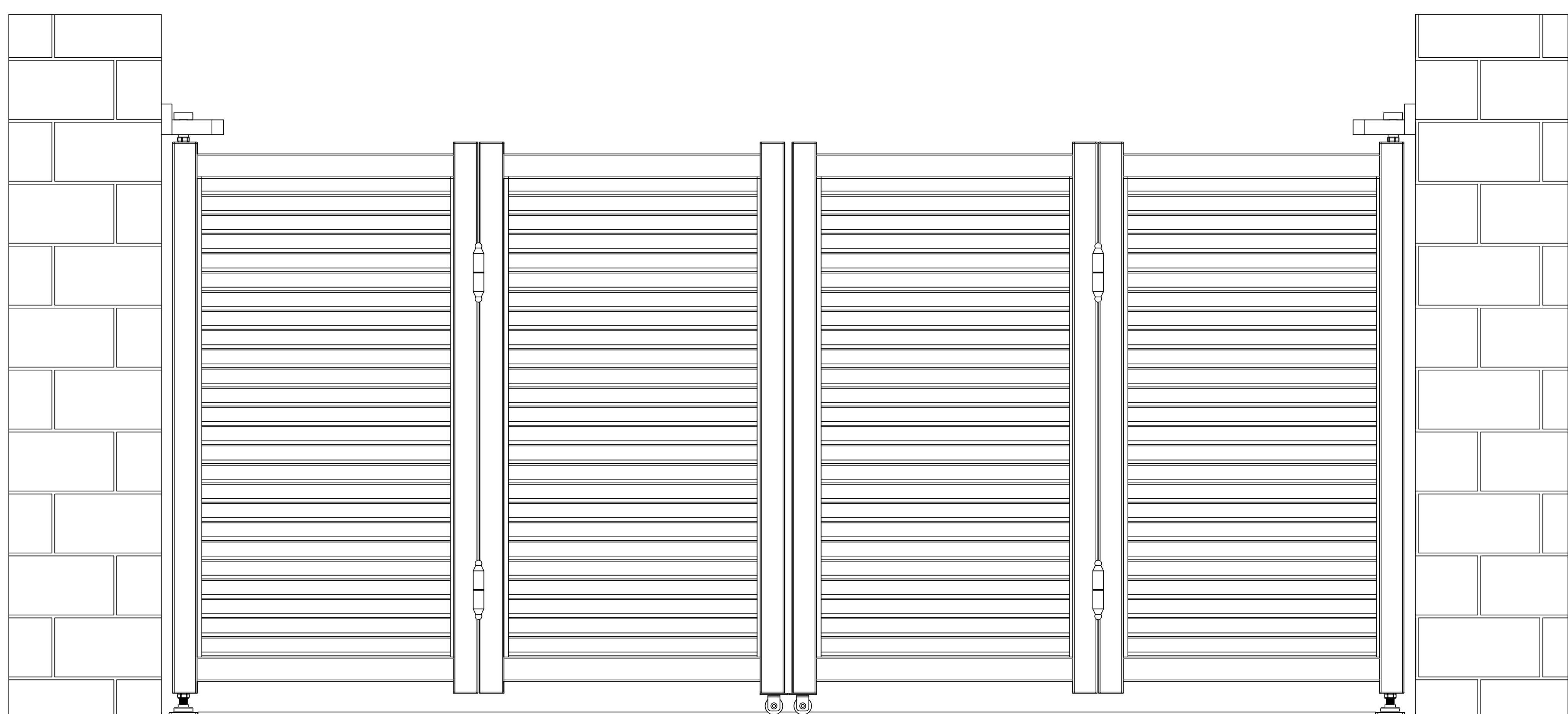
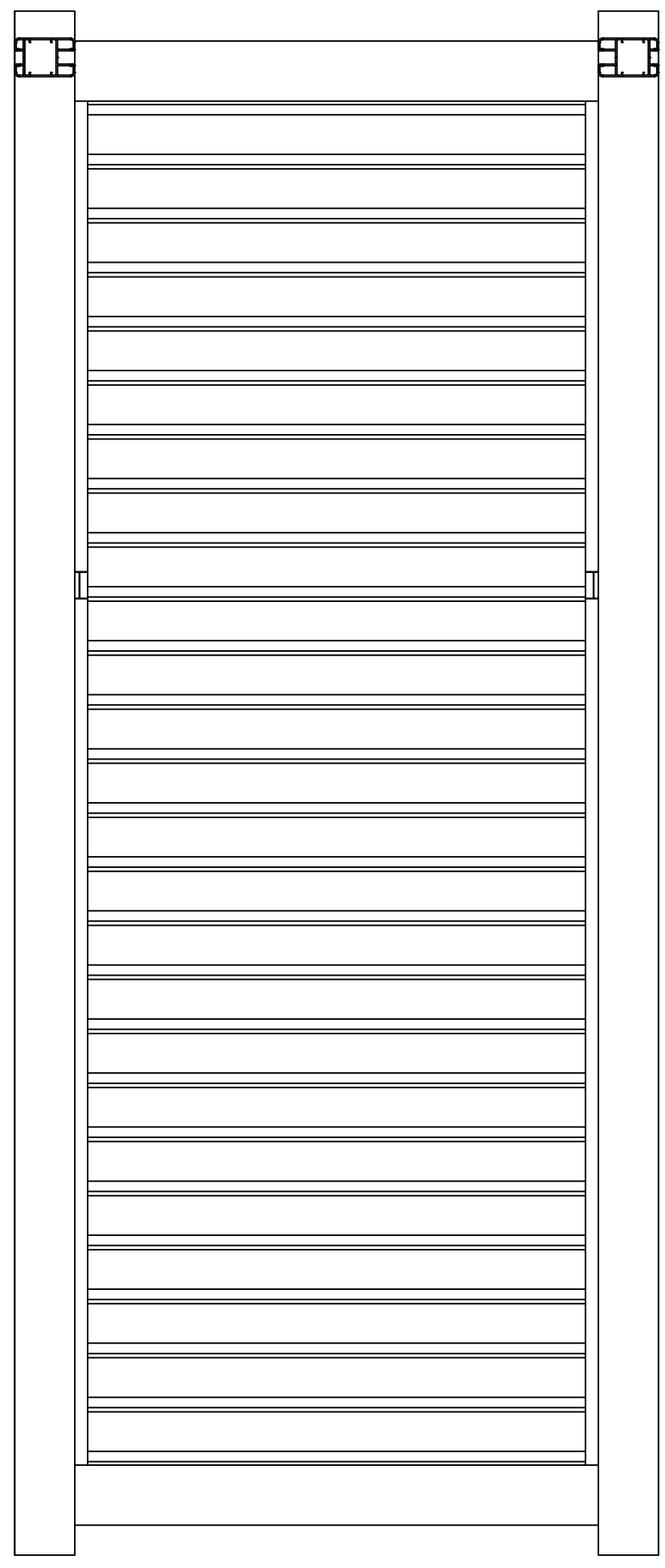


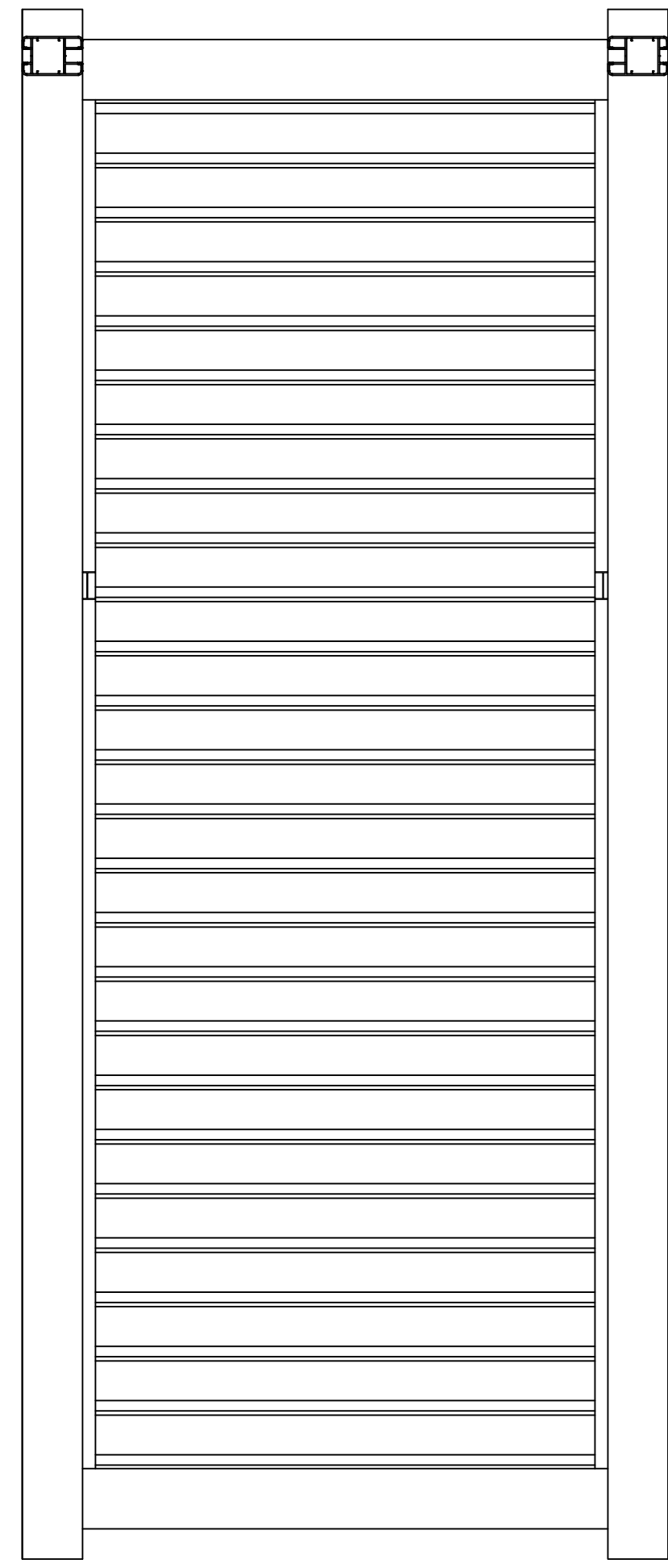
Bi Folding door

installation instruction

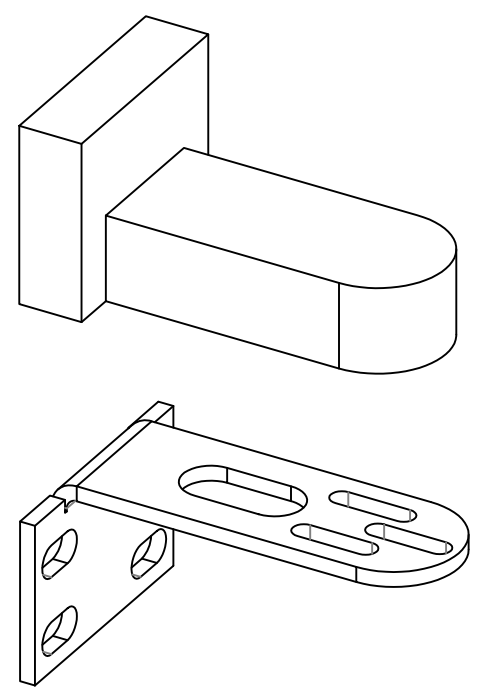




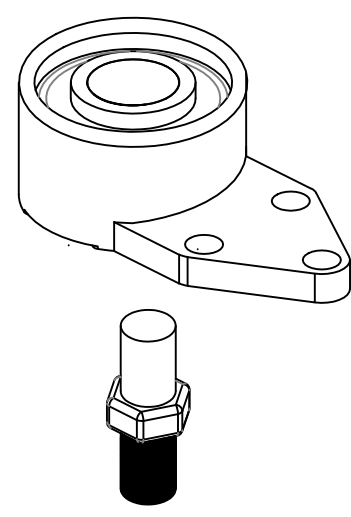
<1>



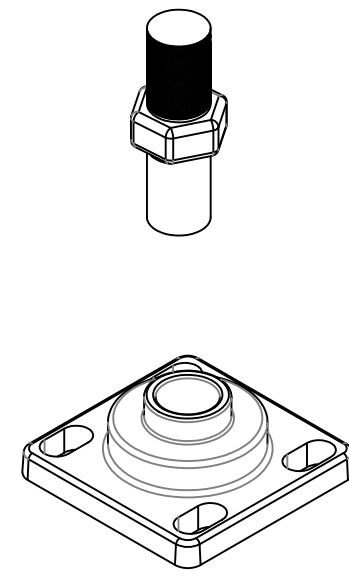
<2>



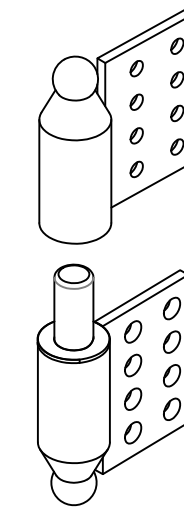
<3>



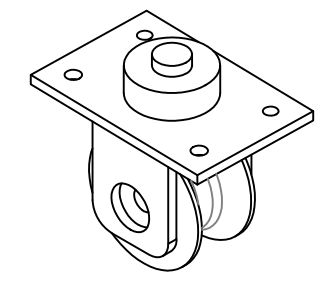
<4>



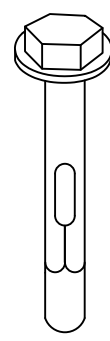
<5>



<6>



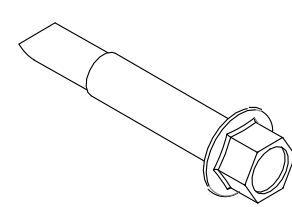
<7>



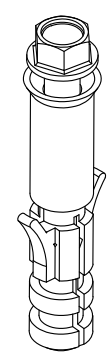
<8>



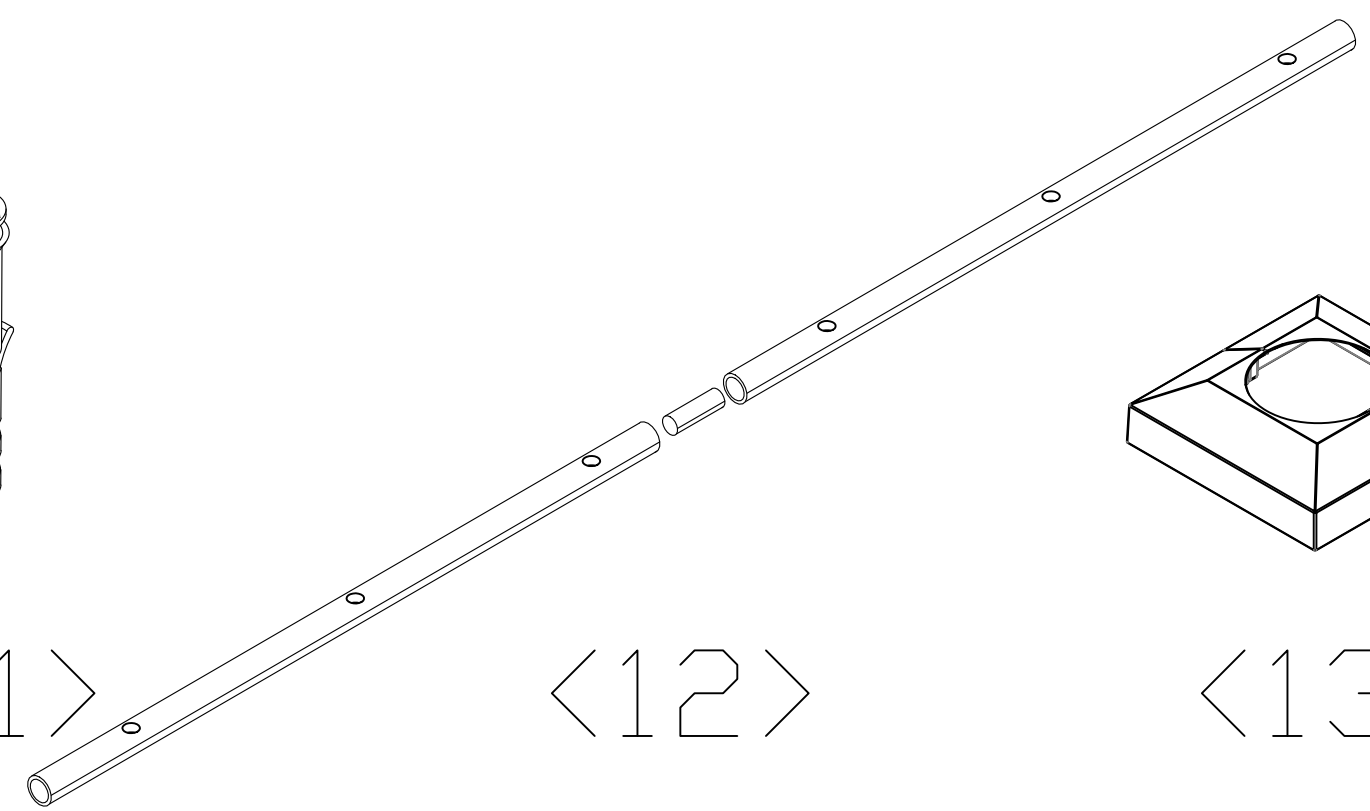
<9>



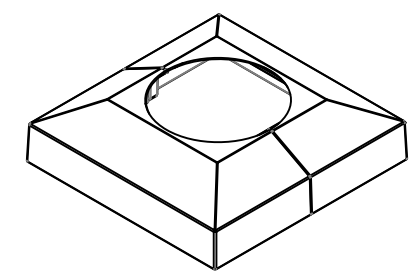
<10>



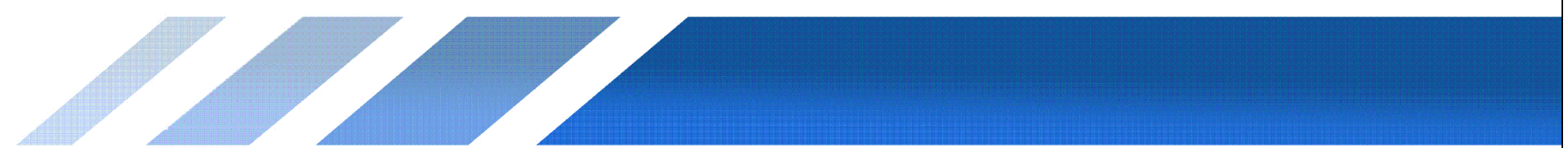
<11>

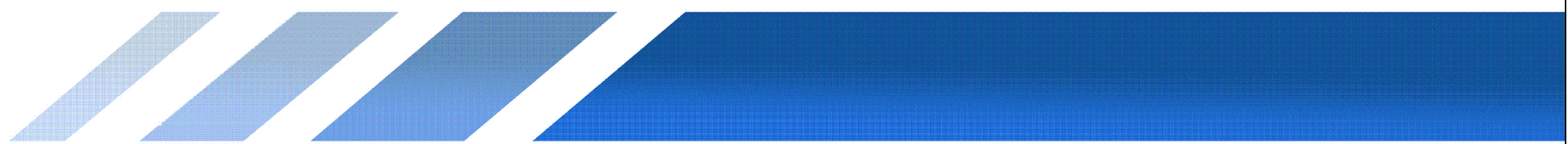
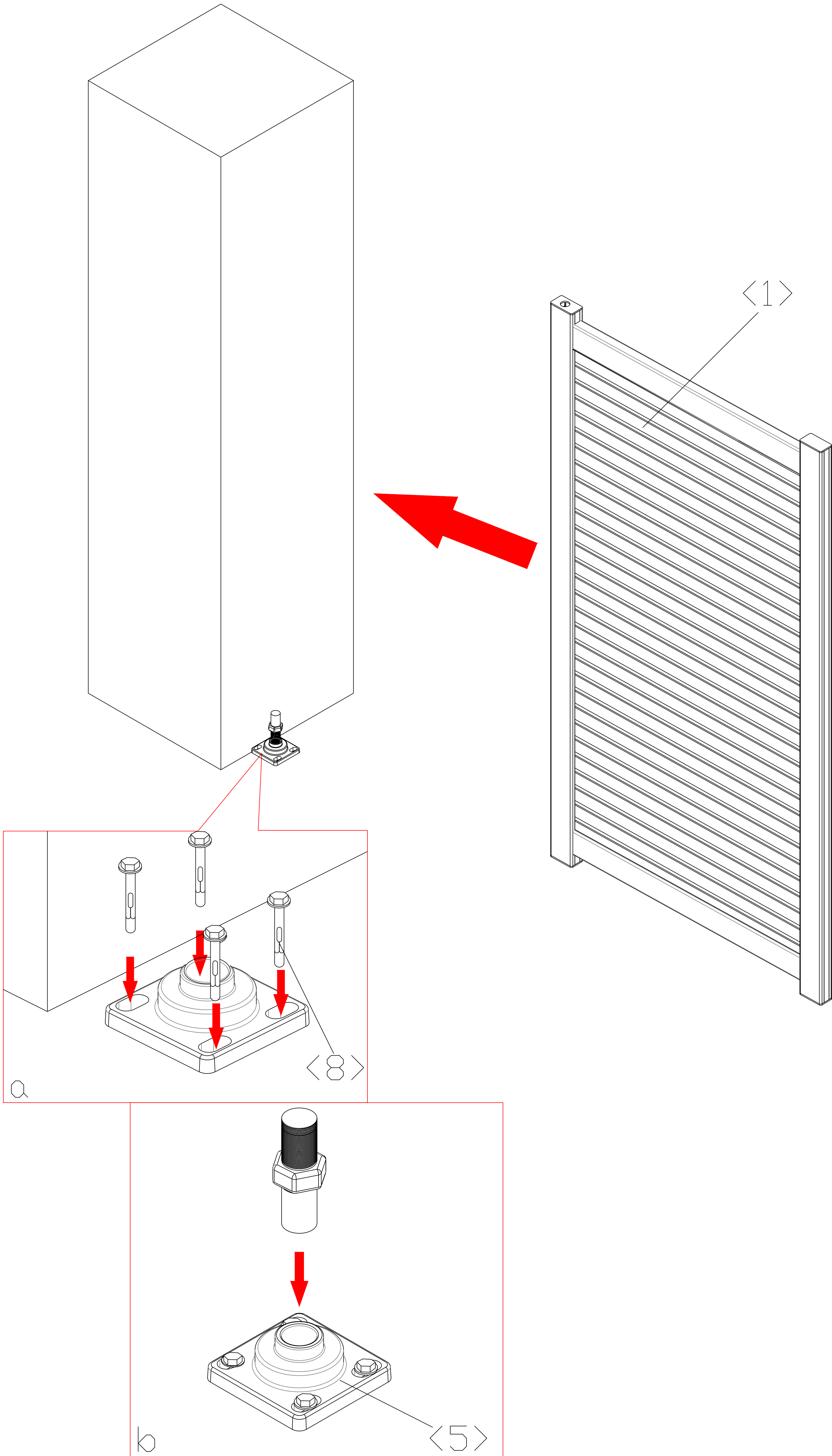


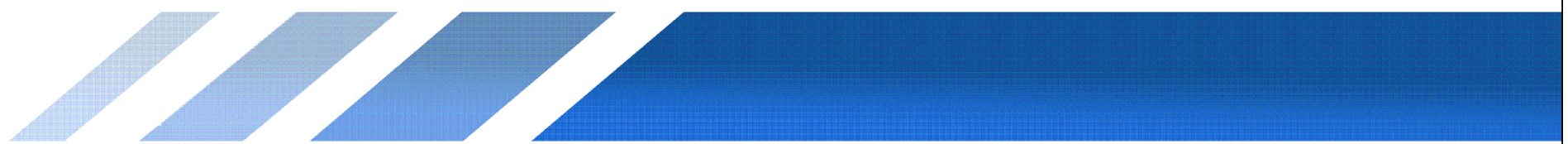
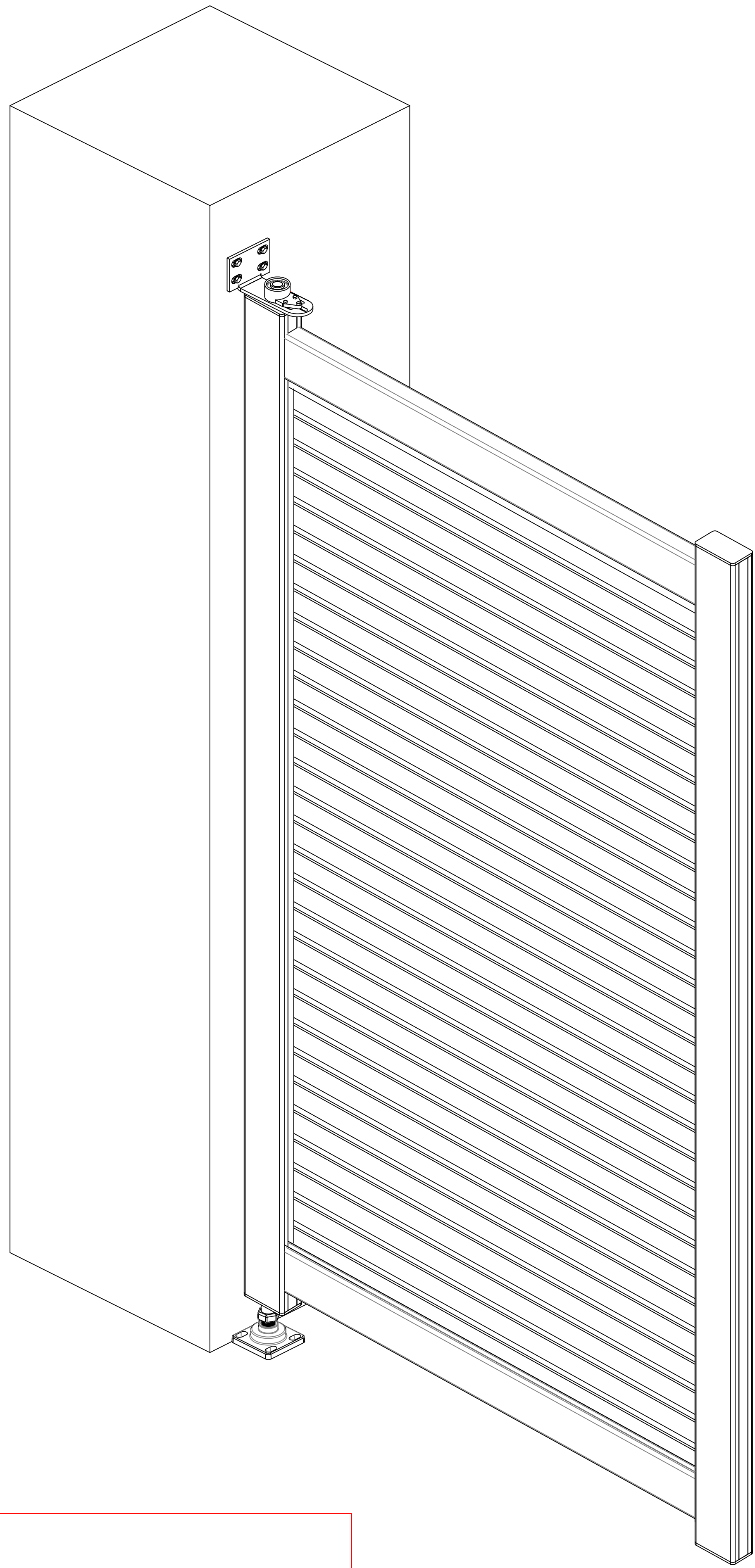
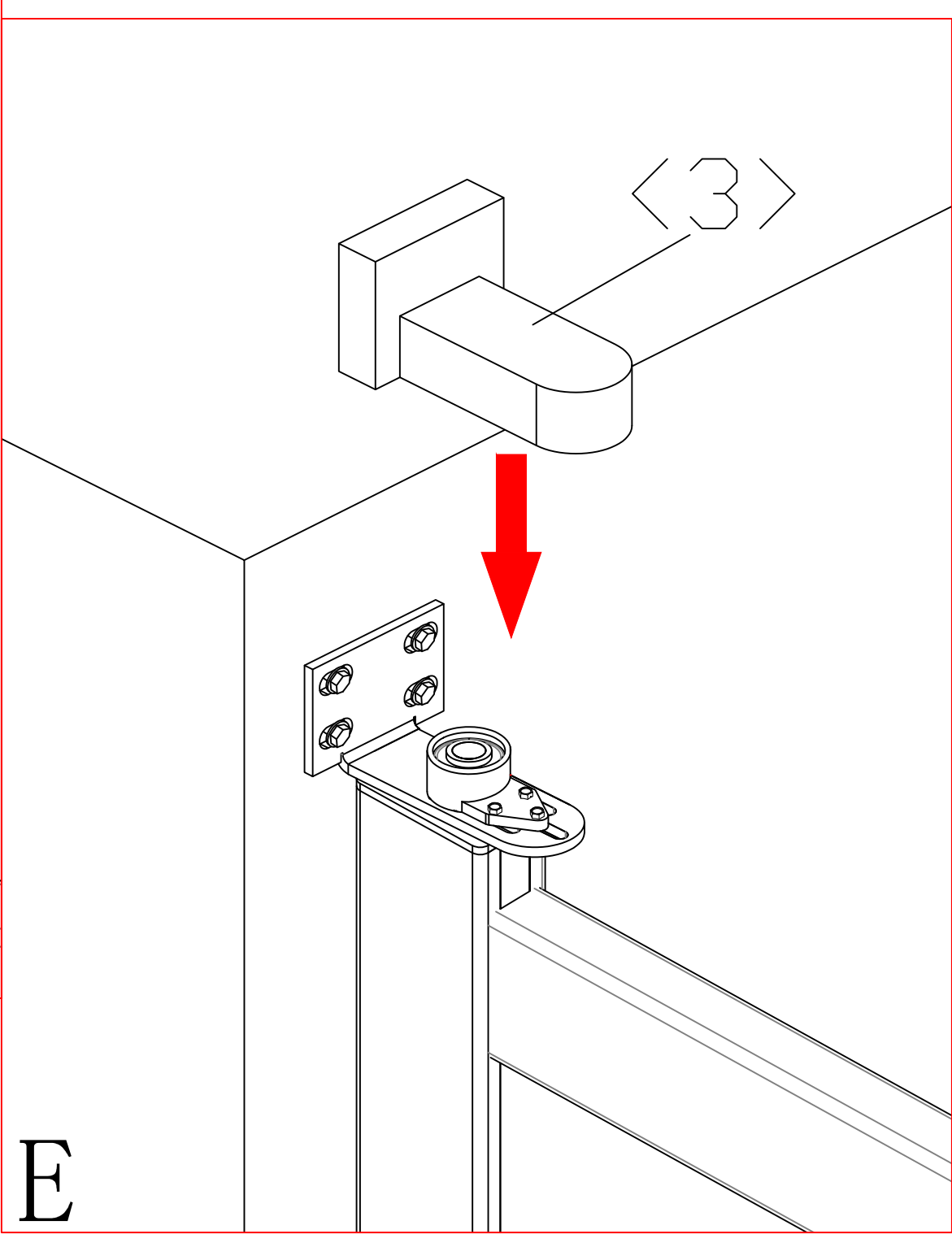
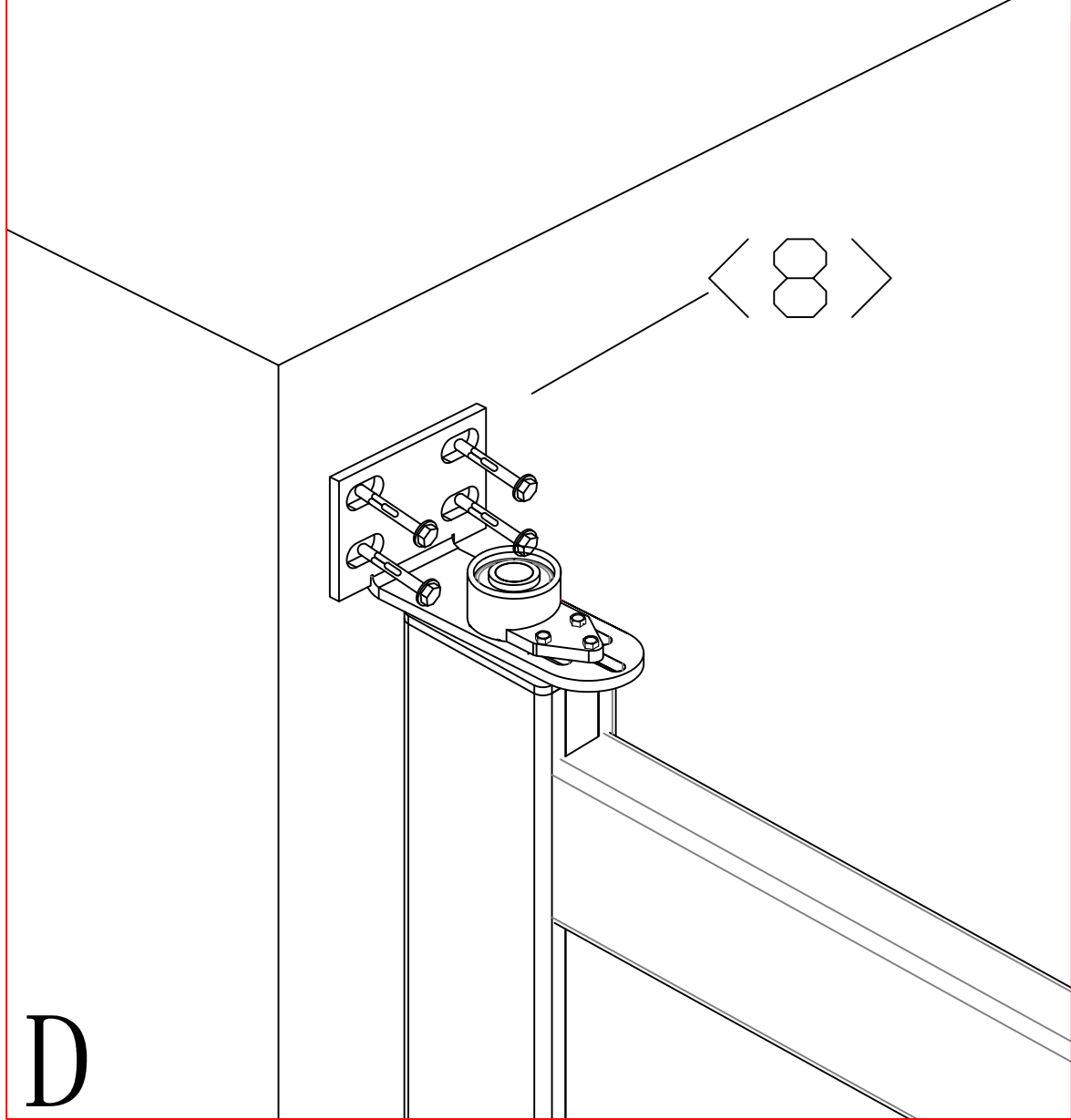
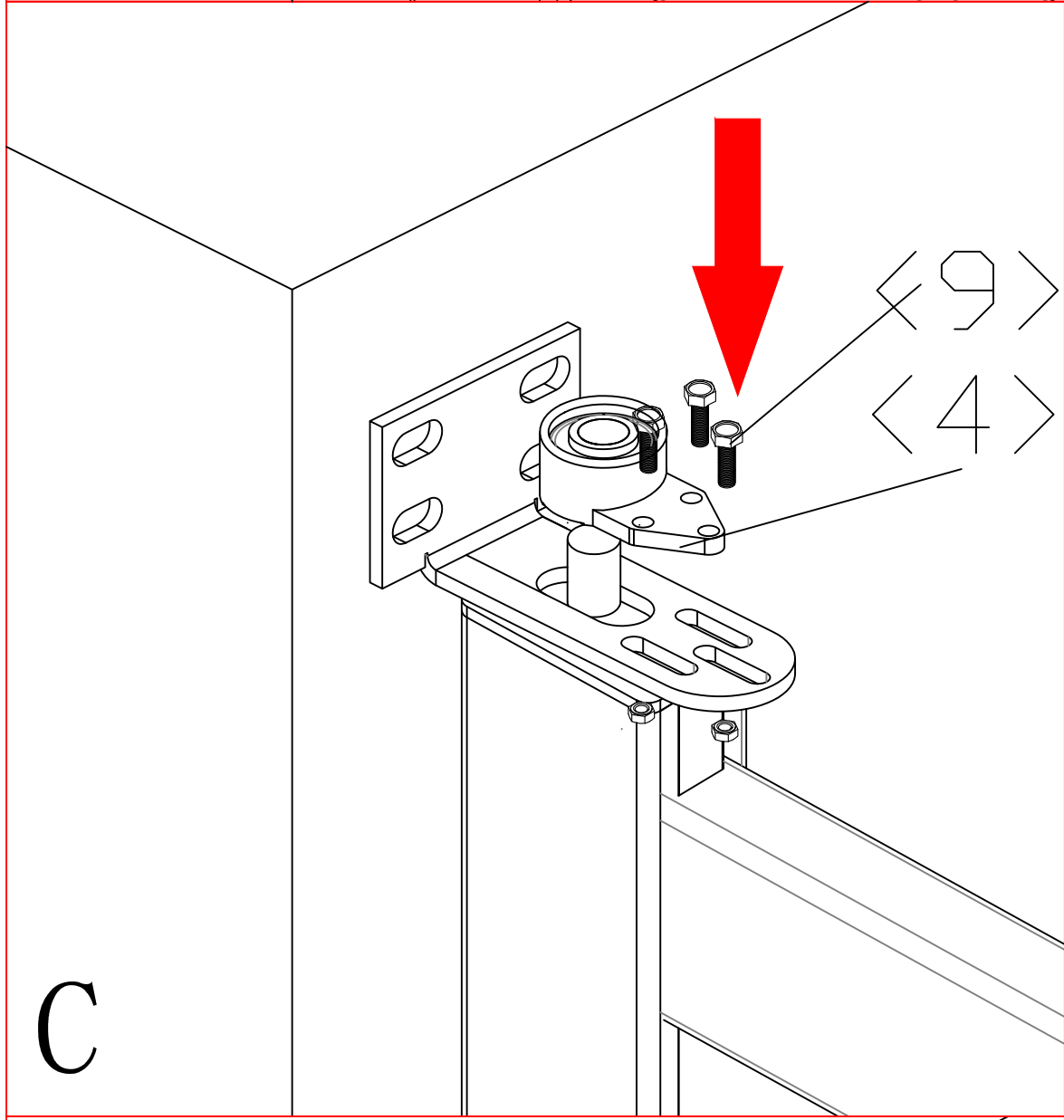
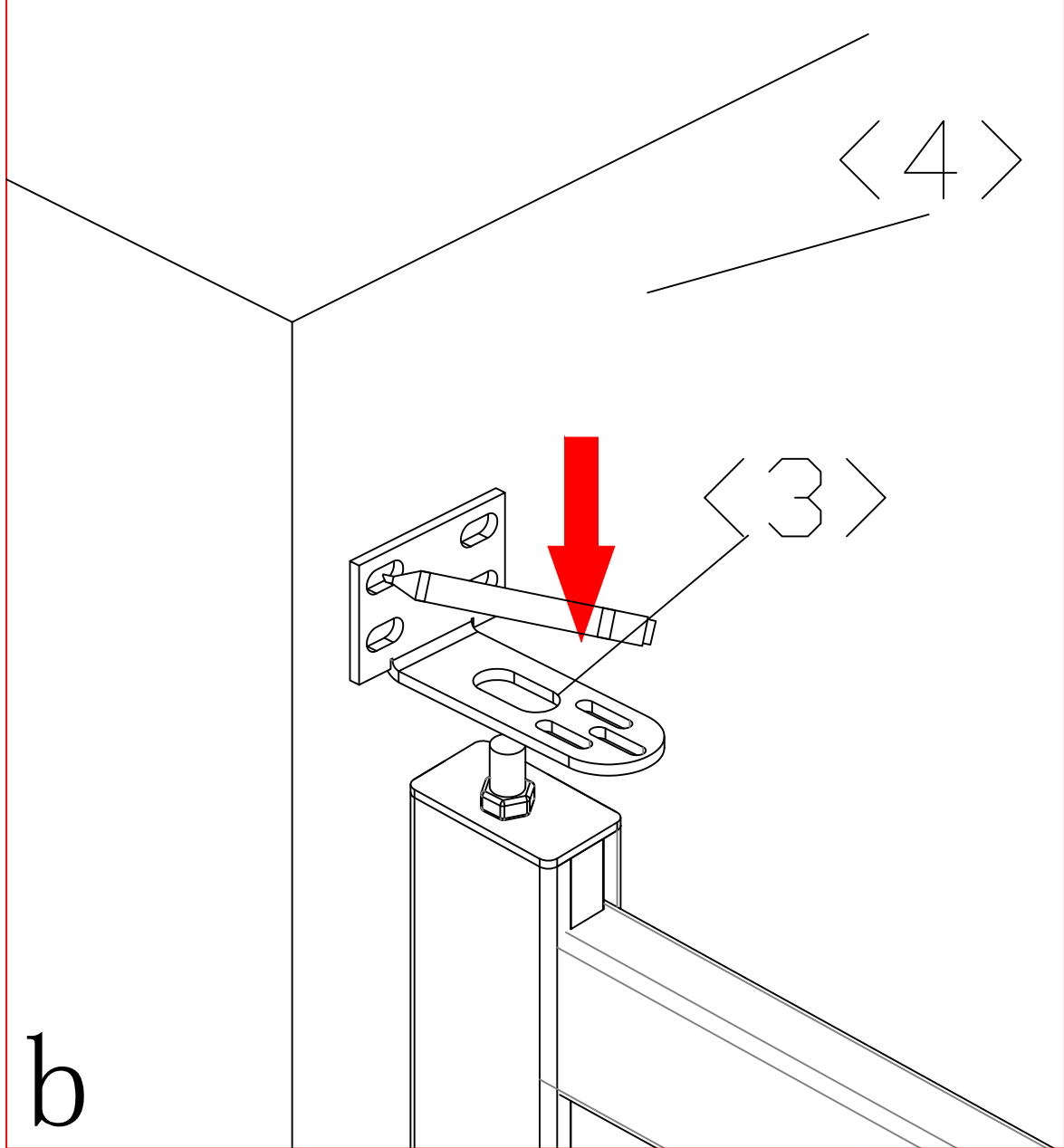
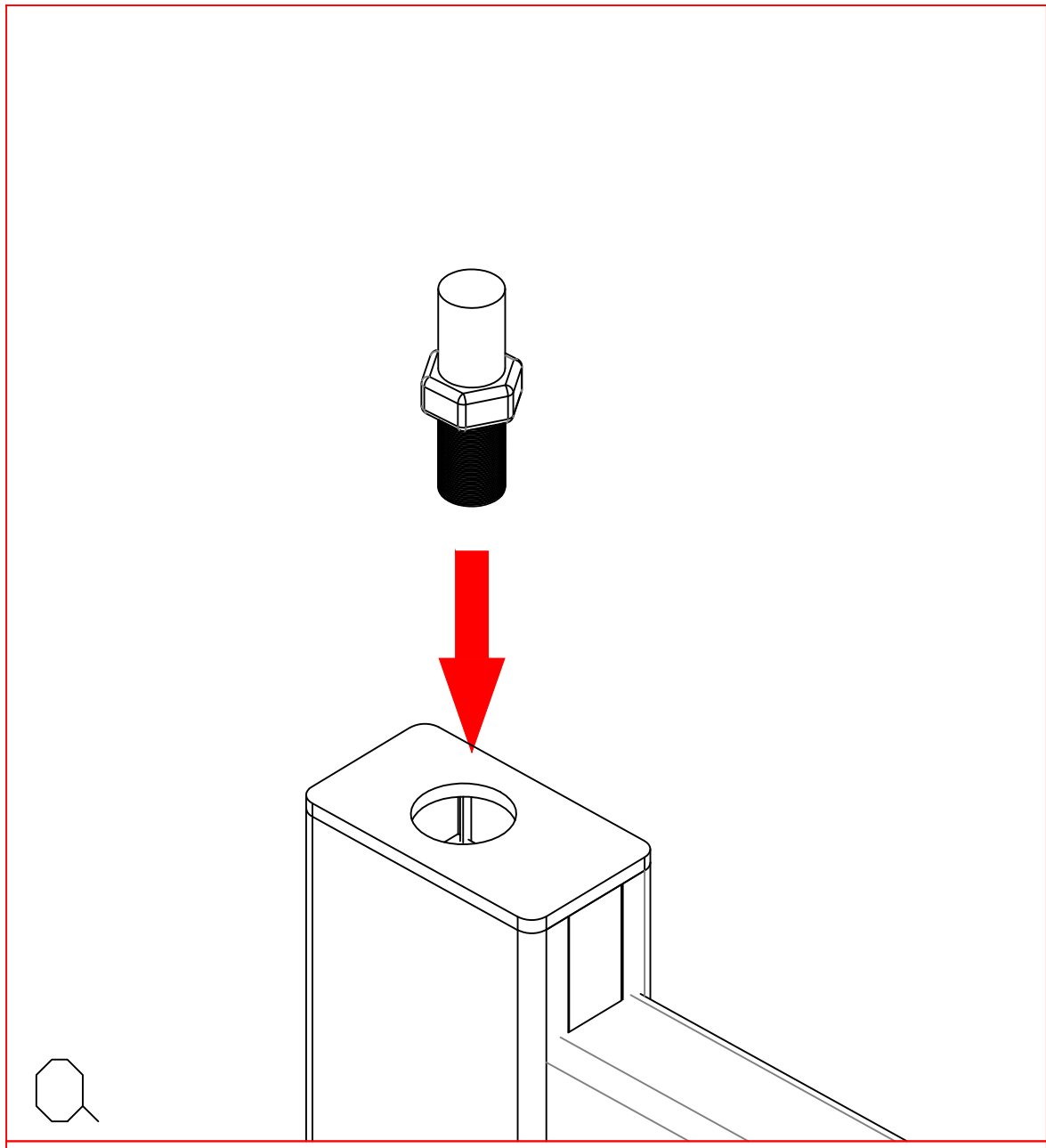
<12>

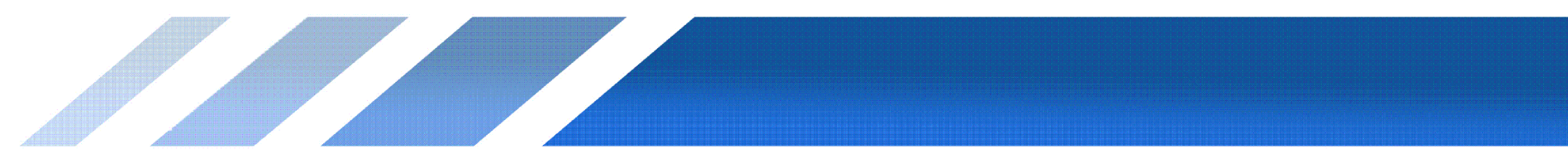
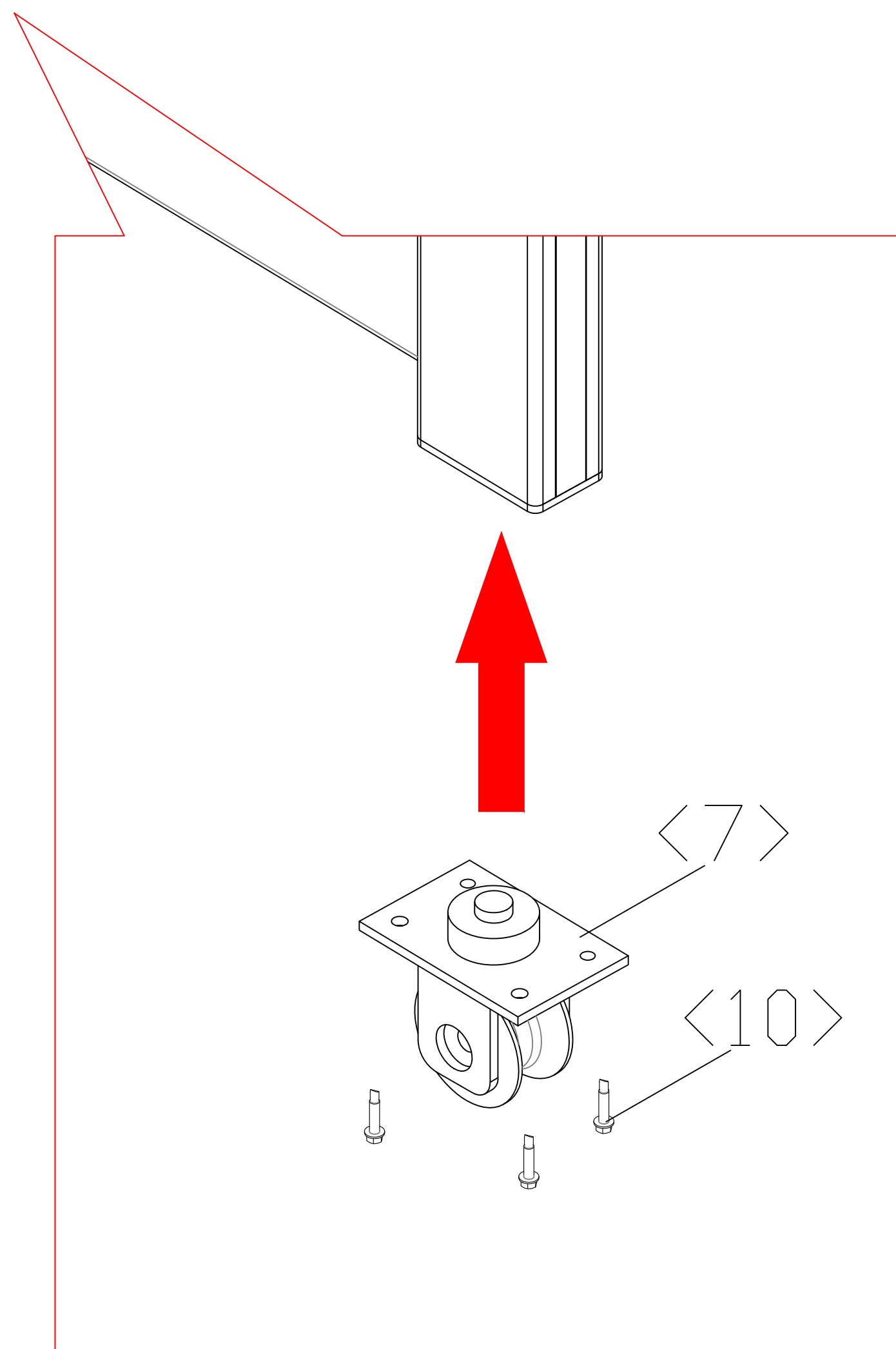
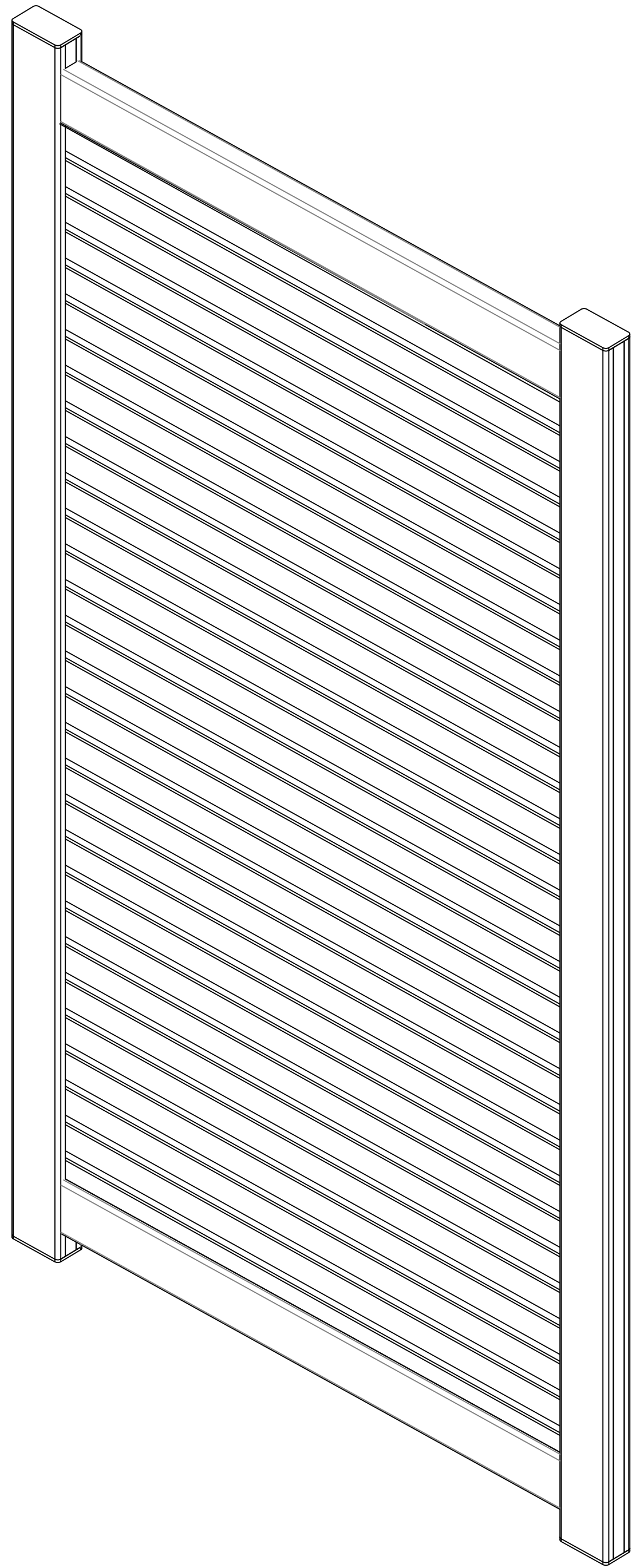


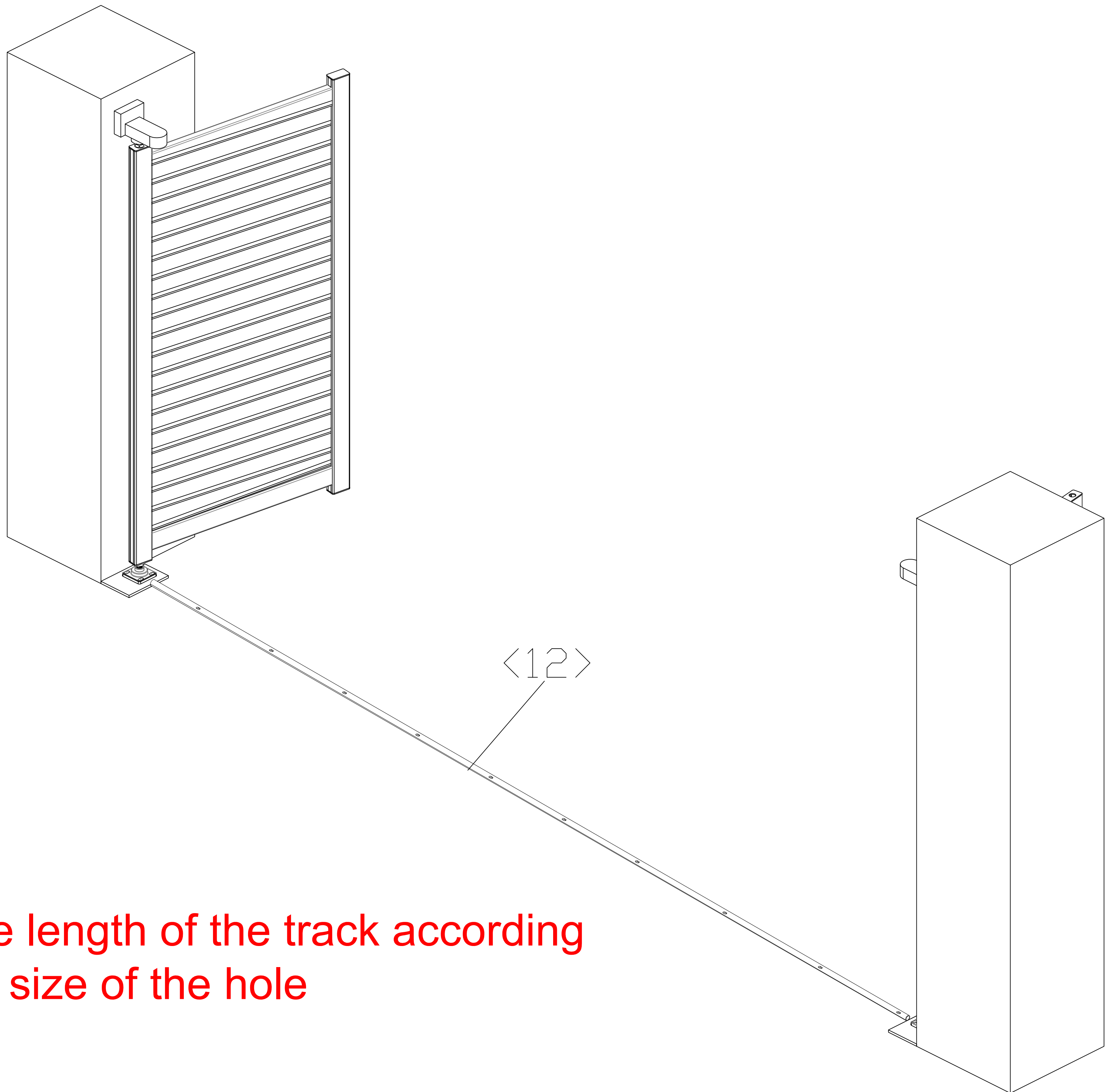
<13>











Cut the length of the track according to the size of the hole

